



# 19" HYPERline Series Free Standing Cabinets

Flat Pack Design, Super Economy in Logistics



> 26U to 47U Heights



Up to 26U Height



8 pcs in 2 palette/crate

4 pcs per palette/crate

# 19" HYPERline Series

## Free Standing Cabinets

**6-9**

19" HYPERline Series Free Standing Cabinet 600x600 mm

---

**10-13**

19" HYPERline Series Free Standing Cabinet 600x800 mm

---

**14-17**

19" HYPERline Series Free Standing Cabinet 600x1000 mm

---

**18-21**

19" HYPERline Series Free Standing Cabinet 800x800 mm

---

**22-25**

19" HYPERline Series Free Standing Cabinet 800x1000 mm

---

**26-29**

19" HYPERline Series Free Standing Cabinet 600x1000 mm

---

**30-33**

19" HYPERline Series Free Standing Cabinet 800x1000 mm

---

# 19" HYPERline Series

## Free Standing Cabinets

**HYPERline** Series Free Standing Networking enclosures/cabinets, designed for **disassembled flat-packed shipments for superior logistics advantages and cost savings.** HYPERline has Fast, Easy Assembly process with reusable packaging to save costs.

**HYPERline** Series perform superior load performance tested with 900 kg load which is 1,5X higher than market standards. Nominal load capacity of 600 kg. Therefore, **HYPERline** series can carry heavy telecom equipments, UPS and batteries besides standard network equipment such as switches, patch panels and cables.

**HYPERline** Series are being manufactured in W600/800 mm width, D:600/800/1000/1200 mm depth and 8 heights from 16U to 47U in fully automated production facilities. The product range fits in different environments with RAL 9005 Black or RAL 7035 Light Grey fine wrinkle paint.

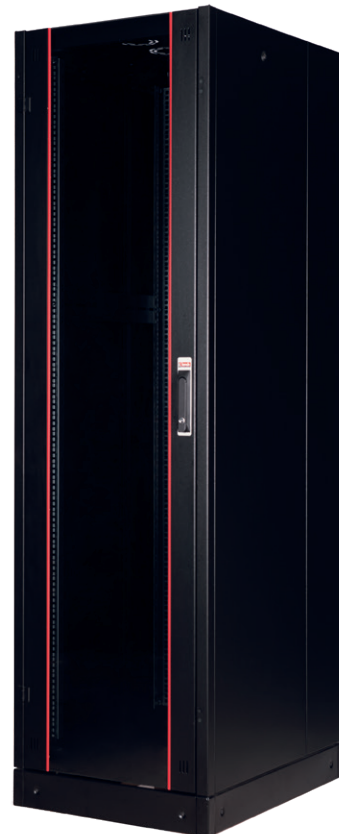
**HYPERline** Series have high corrosion resistance with nano technology pre-treatment, Bonderite/Henkel chemicals, and 80-120 micron thick epoxy powder coating for 500+ hours of salt spray test performance.

**HYPERline** series is supplied with a standard glass front door, removable side panels with a barrel locking system. Front door has tinted smoke tempered glass front door with aesthetic and professional look, while 70% perforated door is optional.

Large stock holding portfolio, single box flat packed delivery, assembled delivery option, including one set: 4 pieces of 19" adjustable equipment mounting rails and 4 pcs M10 leveling feet.

**HYPERline** Series offers a variety range of accessories to compliment the cabinets and meets the requirements of the majority of applications.

External hinge system allows up to 180 degrees of door opening angle. The front door opening direction is swappable from left to right or right to left.



# 19" HYPERline Series

## Free Standing Cabinets

### Compliance:

- EN 12150-1 compliant tempered, anti-static, secure, grinded edges glass front door-t: 4,0 mm or %70 perforated doors for ventilation requirements
- DIN 1743, DIN 53571, RoHS compliant ergo handle and/or barrel quarter turn locks
- EN IEC 60297 - mechanical structures for electrical and electronic equipment. Dimensions of mechanical structures of the 482,6 mm (19 in) series
- EN IEC 60917 modular order for the development of mechanical structures for electronic equipment practices.
- EIA/ ECA-310 (D/E) 19" 482,6 mm and U 44,45 mm Height Sizing

### Generic Standard:

- EN 61587-1 mechanical structures for electronic equipment - tests for IEC 60917 and IEC 60297 series
- Part 1: environmental requirements, test set-up and safety aspects for cabinets, racks, subracks and chassis under indoor conditions
- Climatic and environment: EN 61587-1/4.2, IEC 60068-2-1, IEC 60068-2-2, IEC 60068-2-30
- Static mechanical load lifting: EN 61587-1/5.2.1
- Static mechanical load stiffness: EN 61587-1/5.2.2
- Dynamic mechanical load vibration and shock, impact: EN 61587-1/5.3.1, EN 61587-1/5.3.3, IEC 60068-2-6, IEC 60068-2-27,
- Earth bond: EN 61587-1/6.2
- Flammability: EN 61587-1/6.3
- Degrees of protection provided by enclosures (Ip Code): IP20, EN 61587-1/6.4
- EN 13501-1+ A1- epoxy powder coated compliant to fire classification of construction products and building elements - Part 1: classification using data from reaction to fire tests
- Epoxy powder coating tested as per EN ISO 9227 corrosion tests in artificial atmospheres - salt spray tests, EN ISO 2409 paints and varnishes - cross-cut test, EN ISO 2178 non-magnetic coatings on magnetic substrates - measurement of coating thickness - magnetic method
- RoHS compliacy according to 2011/65/EU
- CE compliant to EN 60950-1
- Sheet steel compliant to EN 10130 cold rolled sheet steel with DC-01 6112 or 7122 grade
- Fixing elements are compliant to connection elements (bolt, nuts, shim, etc.) DIN 7985, DIN 965, DIN 7981, DIN 934, DIN 985, DIN 933 - coated according to EN ISO 2081 metallic and other inorganic coatings. Electroplated coatings of zinc with supplementary treatments on iron or steel.

### Production Standards:

- ISO 9001- Quality Management System
- ISO 14001- Environmental Management System
- ISO 45001- The Occupational Health and Safety Management System



# 19" HYPERline Series

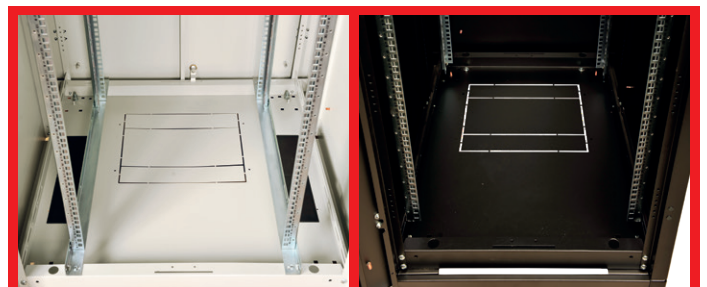
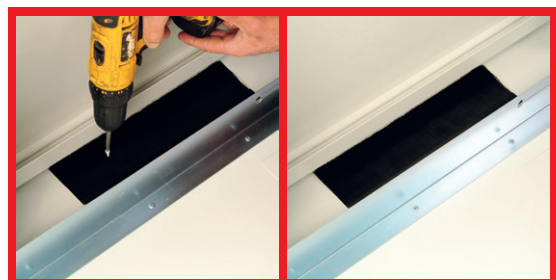
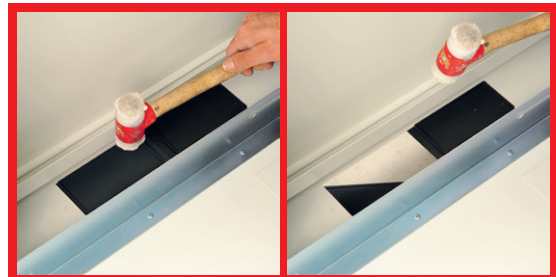
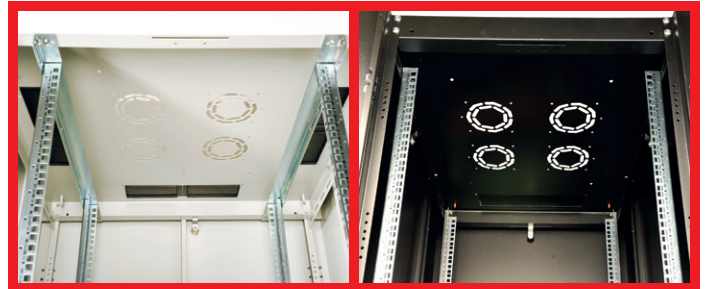
## Free Standing Cabinets

### Construction Details:

Corner profile system with multi folded bending technology provides durability, sturdiness and up to 600 kg load capacity. Monoblock multi folded top and bottom chassis, tightly fixed to the framework with fixing hardware. Top case accommodates ventilation slots for passive ventilation fan modules can be installed internally to the cabinet for forced ventilation.

HYPERline Series with 600 mm x 600mm width host brushed cable entry due to limited space on roof combination with cable entry & fan module housing; other 600 mm width cabinets host 2 pcs of plastic cable entry cover on the top case. Cabinets with 800 mm width also accommodate plastic cable entry cover on both left and right sides of the roof and bottom case. In case, any of these 2pcs plastic cable entry cover can be removed to insert the cables to allow more cable in cabinet. A 300x55 mm brush set is offered as an accessory, to prevent dust from entering the cabinet.

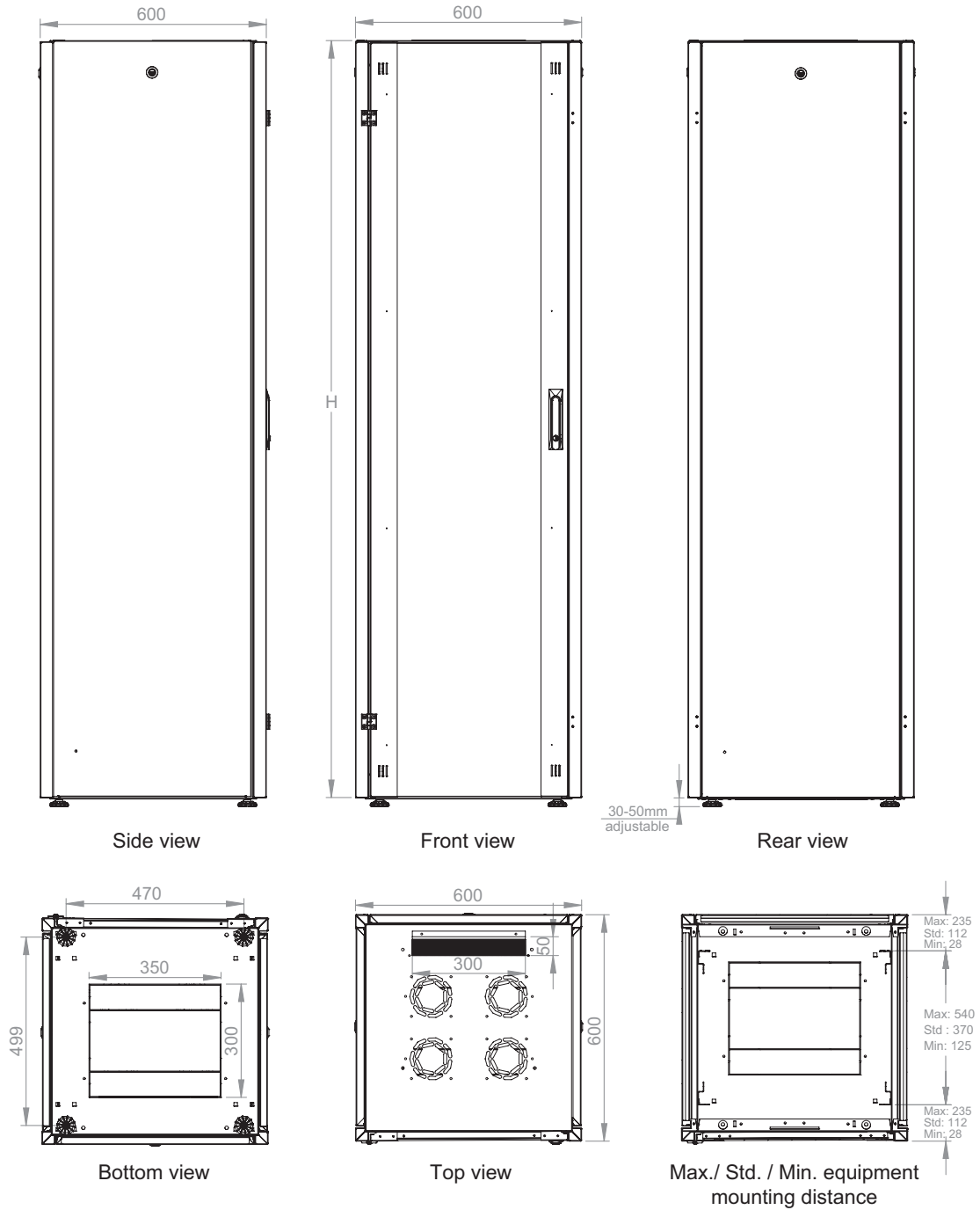
Bottom case accommodates a large pre-punched knock-out plate, which is easy to remove for cable entry. Brushed cable entry panel is available as an accessory, which can be installed for better cable management and protection against dust.



# 19" HYPERline Series

## Free Standing Cabinets

**Width: 600 mm**  
**Depth: 600 mm**



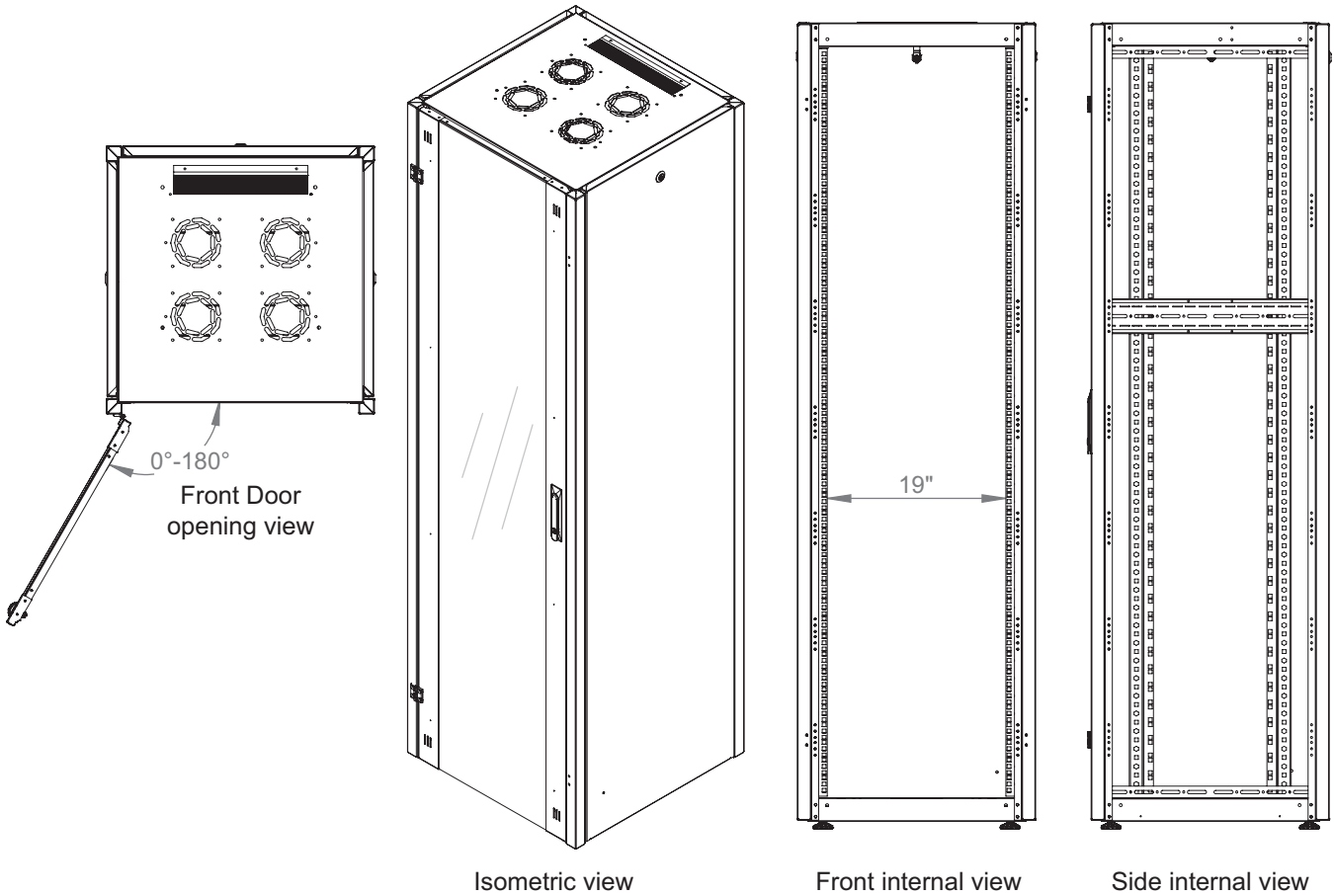
Part Definition	Material Quality	Material Thickness (mm)	Shipment Configuration
Top Bottom Case	DIN EN 10130-DC-01-6112 CRS	1,2 mm	2
Glass Door	EN 12150-1 Tempered Secure Glass	4 mm	1
19" Equipment Mounting Rails	DIN EN 10130-DC-01-6112 CRS	1,5 mm	4
Side and Rear Panels	DIN EN 10130-DC-01-6112 CRS	0,8 mm	3
Side Horizontal Support Bars	DIN EN 10130-DC-01-6112 CRS	1,2 mm	4

Metal door (A) and perforated metal door (C) options with 1,2 mm material thickness.  
4 mm thick EN 12150-1 compatible tempered glass door option (B) with 1,2 mm thick metal side frame.

# 19" HYPERline Series

## Free Standing Cabinets

**Width: 600 mm**  
**Depth: 600 mm**



### HYPERline Series - Free Standing 19" Cabinets W600 mm x D600 mm

Product Number	Series	Description	Dimensions WxDxH	QTY in Package	*H mm, overall without feet and/or castor, plinth
LN-HL16U6060-CC-(A/B/C)	HYPERline Series	16U 19" Free Standing Cabinets W=600 mm D=600 mm	600x600x855	1	855
LN-HL20U6060-CC-(A/B/C)	HYPERline Series	20U 19" Free Standing Cabinets W=600 mm D=600 mm	600x600x1033	1	1033
LN-HL22U6060-CC-(A/B/C)	HYPERline Series	22U 19" Free Standing Cabinets W=600 mm D=600 mm	600x600x1121	1	1121
LN-HL26U6060-CC-(A/B/C)	HYPERline Series	26U 19" Free Standing Cabinets W=600 mm D=600 mm	600x600x1299	1	1299
LN-HL32U6060-CC-(A/B/C)	HYPERline Series	32U 19" Free Standing Cabinets W=600 mm D=600 mm	600x600x1566	1	1566
LN-HL36U6060-CC-(A/B/C)	HYPERline Series	36U 19" Free Standing Cabinets W=600 mm D=600 mm	600x600x1744	1	1744
LN-HL42U6060-CC-(A/B/C)	HYPERline Series	42U 19" Free Standing Cabinets W=600 mm D=600 mm	600x600x2010	1	2010
LN-HL47U6060-CC-(A/B/C)	HYPERline Series	47U 19" Free Standing Cabinets W=600 mm D=600 mm	600x600x2232	1	2232

\* Please add 30 mm to H mm once used with leveling feet, add 85 mm to H mm once used with castor set.

#### General Informations

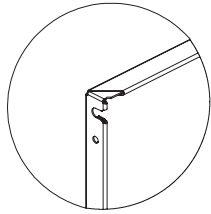
Flat pack / Assembled delivery	HYPERline Series designed for minimized disassembled flat-packed shipments for superior logistics advantages and cost savings. Lande sales representatives should be informed in case the order is assembled, otherwise the order would be sent as flat-packed.
Color selection	CC= Color Code please define while ordering the color code as LG Light Grey RAL 7035, BL Black RAL 9005.

# 19" HYPERline Series

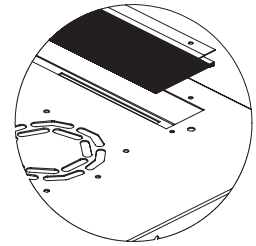
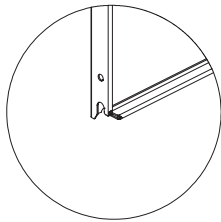
## Free Standing Cabinets

### Exploded View

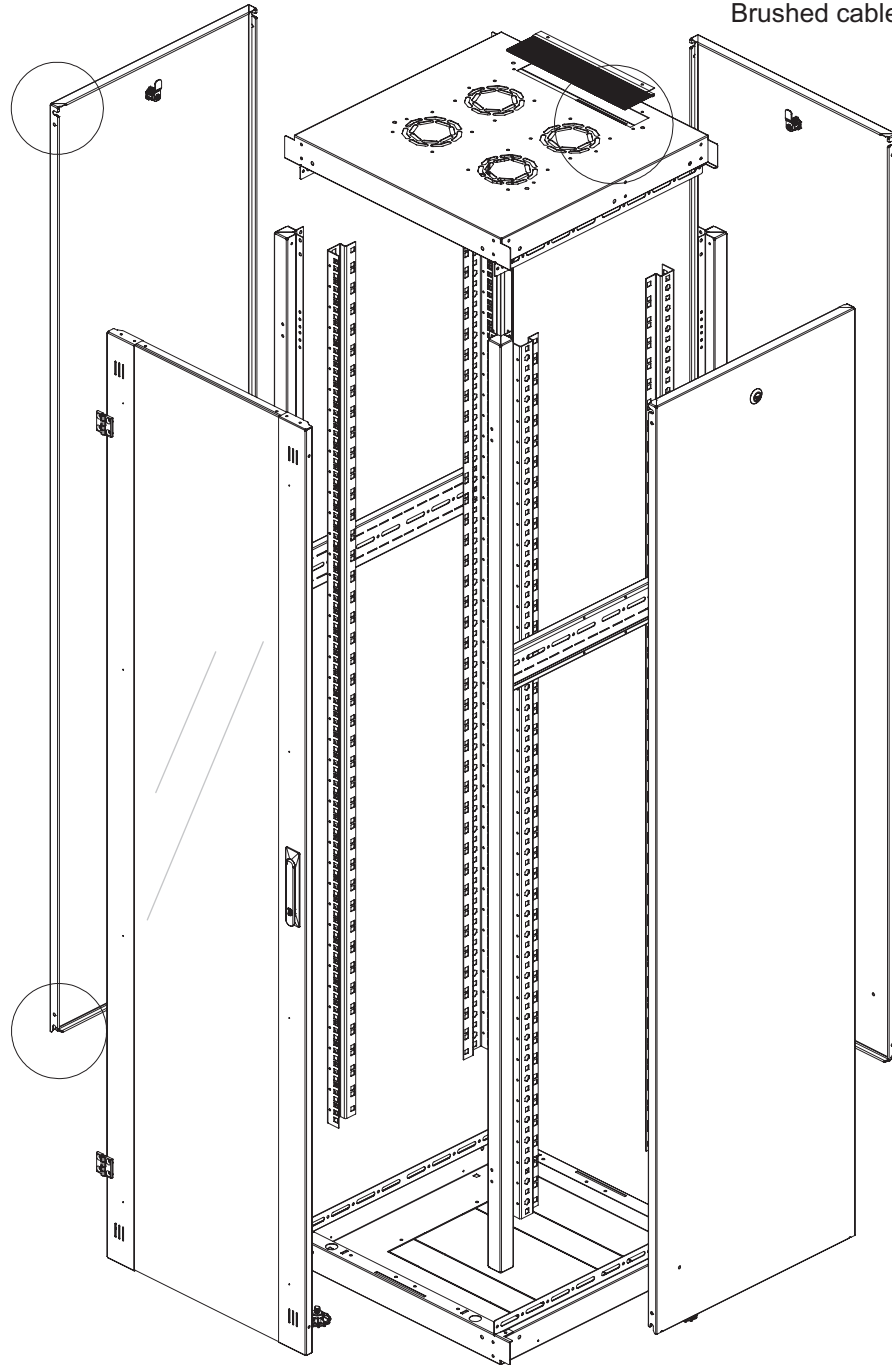
Width: 600 mm  
Depth: 600 mm



Barrel locking system  
at the top and  
mechanical snap  
locking system  
at the bottom



Brushed cable entry



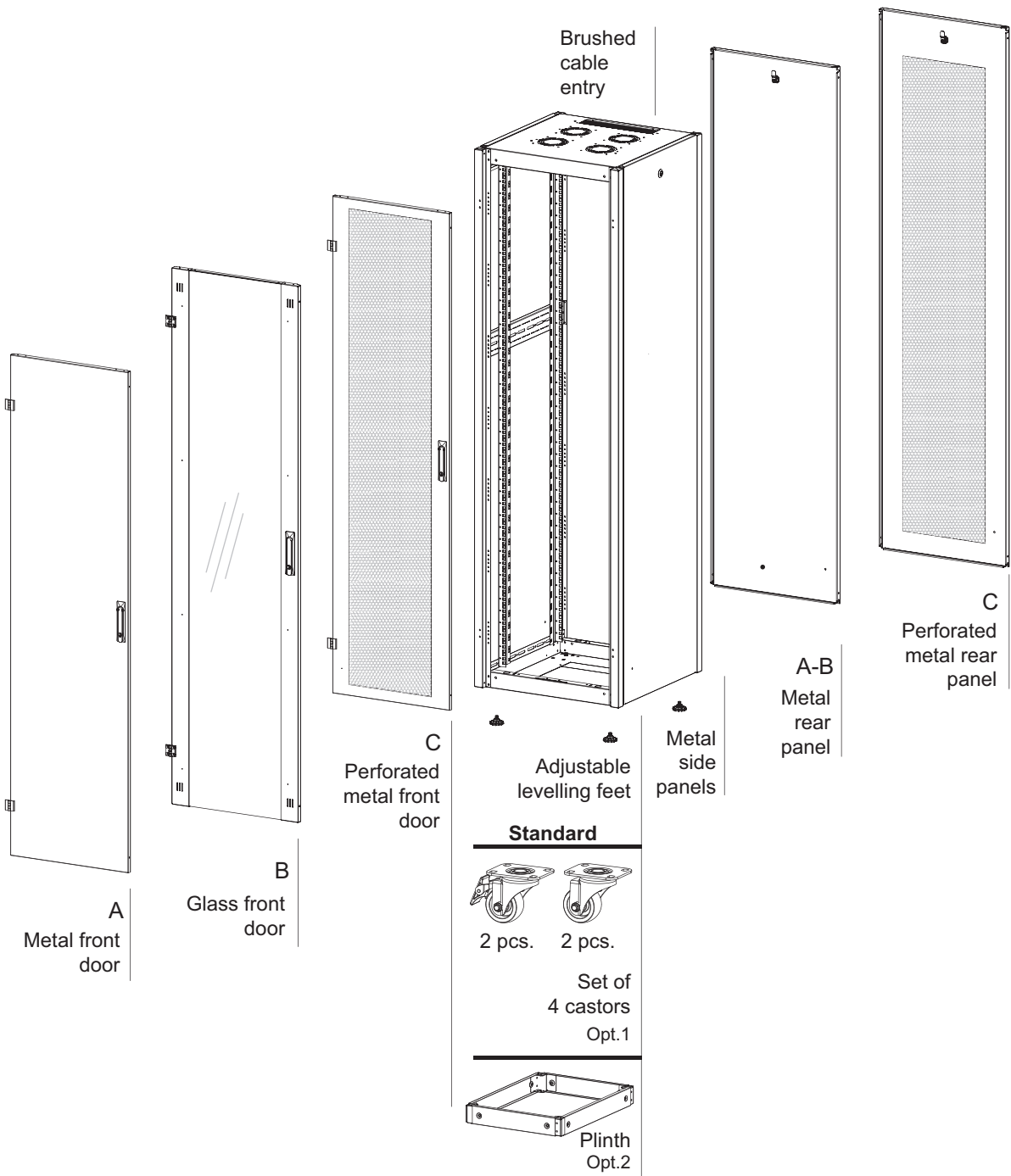


# 19" HYPERline Series

## Free Standing Cabinets

### Exploded View Options

Width: 600 mm  
Depth: 600 mm



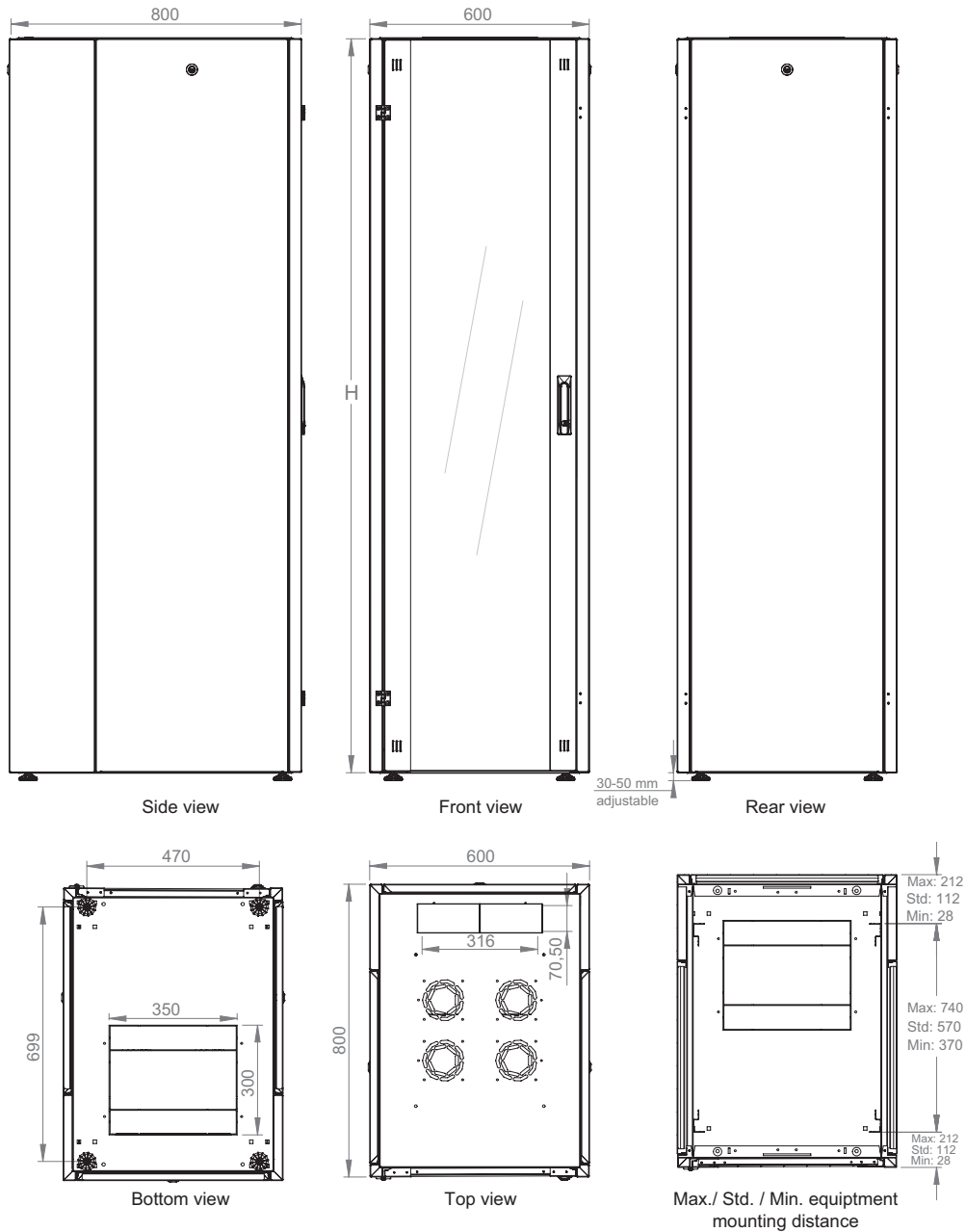
#### A/B/C Configurations in Product Number

Metal door - A configuration for W600 mm	Metal front door with external hinge mechanism and swinghandle single point cylinder lock. Metal rear panel with quarter turn lock.
Glass door - B configuration for W600 mm	Glass front door with external hinge mechanism and swinghandle single point cylinder lock. Metal rear panel with quarter turn lock.
Perforated door - C configuration for W600 mm	Perforated metal front door with external hinge mechanism and swinghandle single point cylinder lock. Perforated metal rear panel with quarter turn lock.

# 19" HYPERline Series

## Free Standing Cabinets

**Width: 600 mm**  
**Depth: 800 mm**



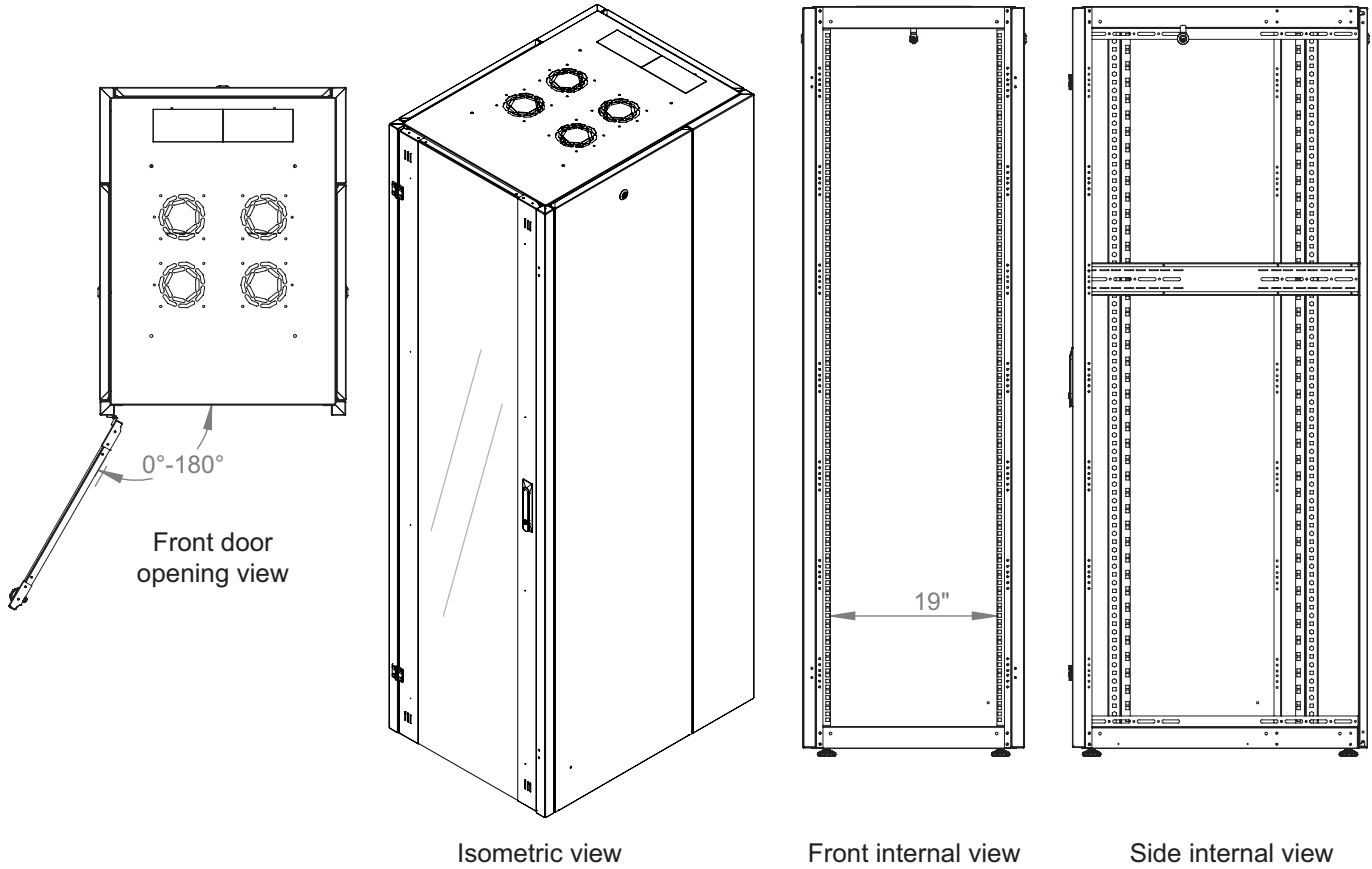
Part Definition	Material Quality	Material Thickness (mm)	Shipment Configuration
Top Bottom Case	DIN EN 10130-DC-01-6112 CRS	1,2 mm	2
Glass Door	EN 12150-1 Tempered Secure Glass	4 mm	1
19" Equipment Mounting Rails	DIN EN 10130-DC-01-6112 CRS	1,5 mm	4
Side and Rear Panels	DIN EN 10130-DC-01-6112 CRS	0,8 mm	3
Side Horizontal Support Bars	DIN EN 10130-DC-01-6112 CRS	1,2 mm	2
Corner Profiles (Cabinet Frame and Long Profiles On Sides )	DIN EN 10130-DC-01-6112 CRS	1,2 mm	2

Metal door (A) and perforated metal door (C) options with 1,2 mm material thickness.  
4 mm thick EN 12150-1 compatible tempered glass door option (B) with 1,2 mm thick metal side frame.

# 19" HYPERline Series

## Free Standing Cabinets

Width: 600 mm  
Depth: 800 mm



Isometric view

Front internal view

Side internal view

### HYPERline Series - Free Standing 19" Cabinets W600 mm x D800 mm

Product Number	Series	Description	Dimensions WxDxH	QTY in Package	*H mm, overall without feet and/or castor, plinth
LN-HL16U6080-CC-(A/B/C)	HYPERline Series	16U 19" Free Standing Cabinets W=600 mm D=800 mm	600x800x855	1	855
LN-HL20U6080-CC-(A/B/C)	HYPERline Series	20U 19" Free Standing Cabinets W=600 mm D=800 mm	600x800x1033	1	1033
LN-HL22U6080-CC-(A/B/C)	HYPERline Series	22U 19" Free Standing Cabinets W=600 mm D=800 mm	600x800x1121	1	1121
LN-HL26U6080-CC-(A/B/C)	HYPERline Series	26U 19" Free Standing Cabinets W=600 mm D=800 mm	600x800x1299	1	1299
LN-HL32U6080-CC-(A/B/C)	HYPERline Series	32U 19" Free Standing Cabinets W=600 mm D=800 mm	600x800x1566	1	1566
LN-HL36U6080-CC-(A/B/C)	HYPERline Series	36U 19" Free Standing Cabinets W=600 mm D=800 mm	600x800x1744	1	1744
LN-HL42U6080-CC-(A/B/C)	HYPERline Series	42U 19" Free Standing Cabinets W=600 mm D=800 mm	600x800x2010	1	2010
LN-HL47U6080-CC-(A/B/C)	HYPERline Series	47U 19" Free Standing Cabinets W=600 mm D=800 mm	600x800x2232	1	2232

\* Please add 30 mm to H mm once used with leveling feet, add 85 mm to H mm once used with castor set.

### General Informations

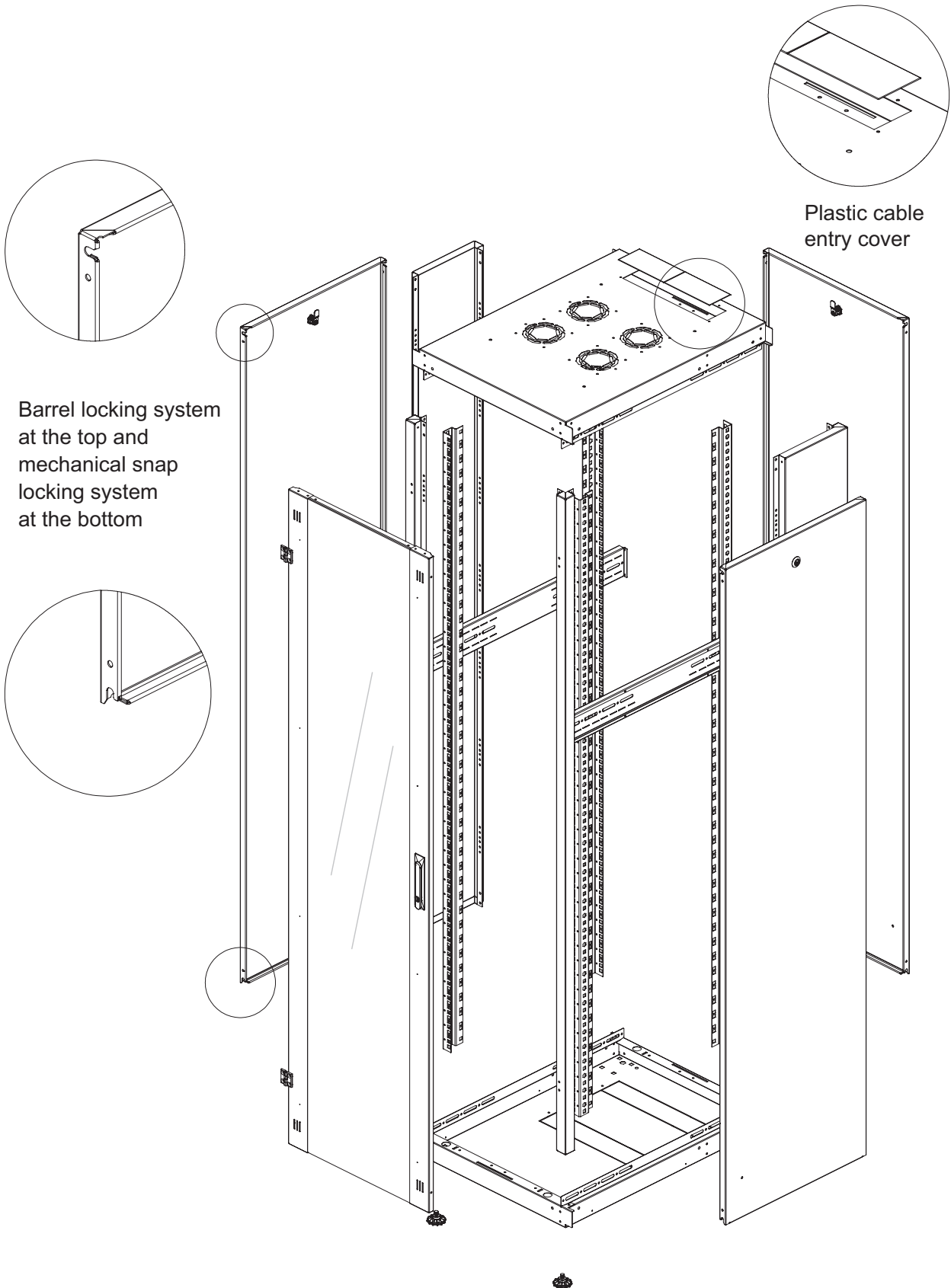
Flat pack / Assembled delivery	HYPERline Series designed for minimized disassembled flat - packed shipments for superior logistics advantages and cost savings. Lande sales representatives should be informed in case the order is assembled, otherwise the order would be sent as flat-packed.
Color selection	CC= Color Code please define while ordering the color code as LG Light Grey RAL 7035, BL Black RAL 9005.

# 19" HYPERline Series

## Free Standing Cabinets

### Exploded View

Width: 600 mm  
Depth: 800 mm

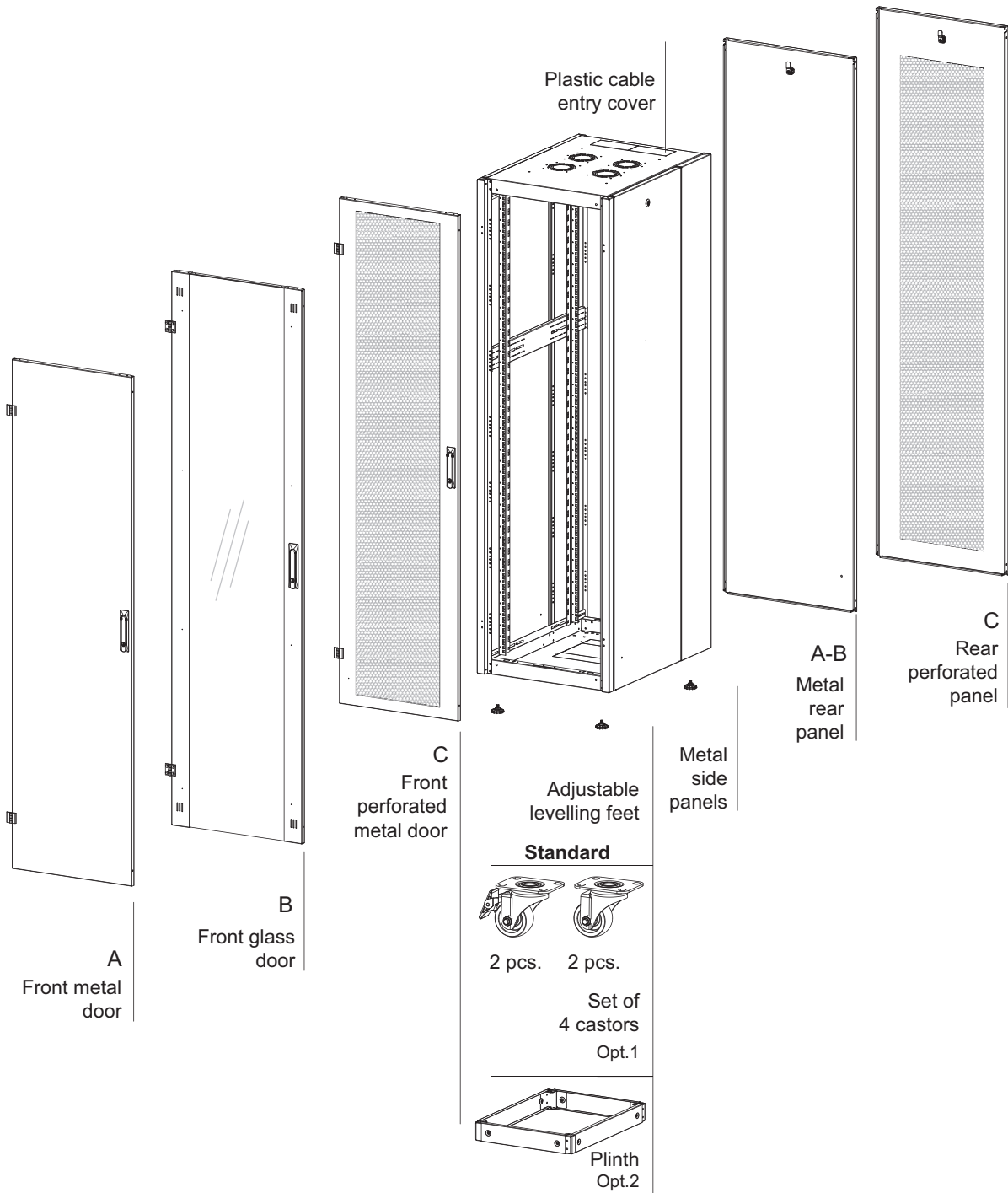


# 19" HYPERline Series

## Free Standing Cabinets

### Exploded View Options

**Width: 600 mm**  
**Depth: 800 mm**



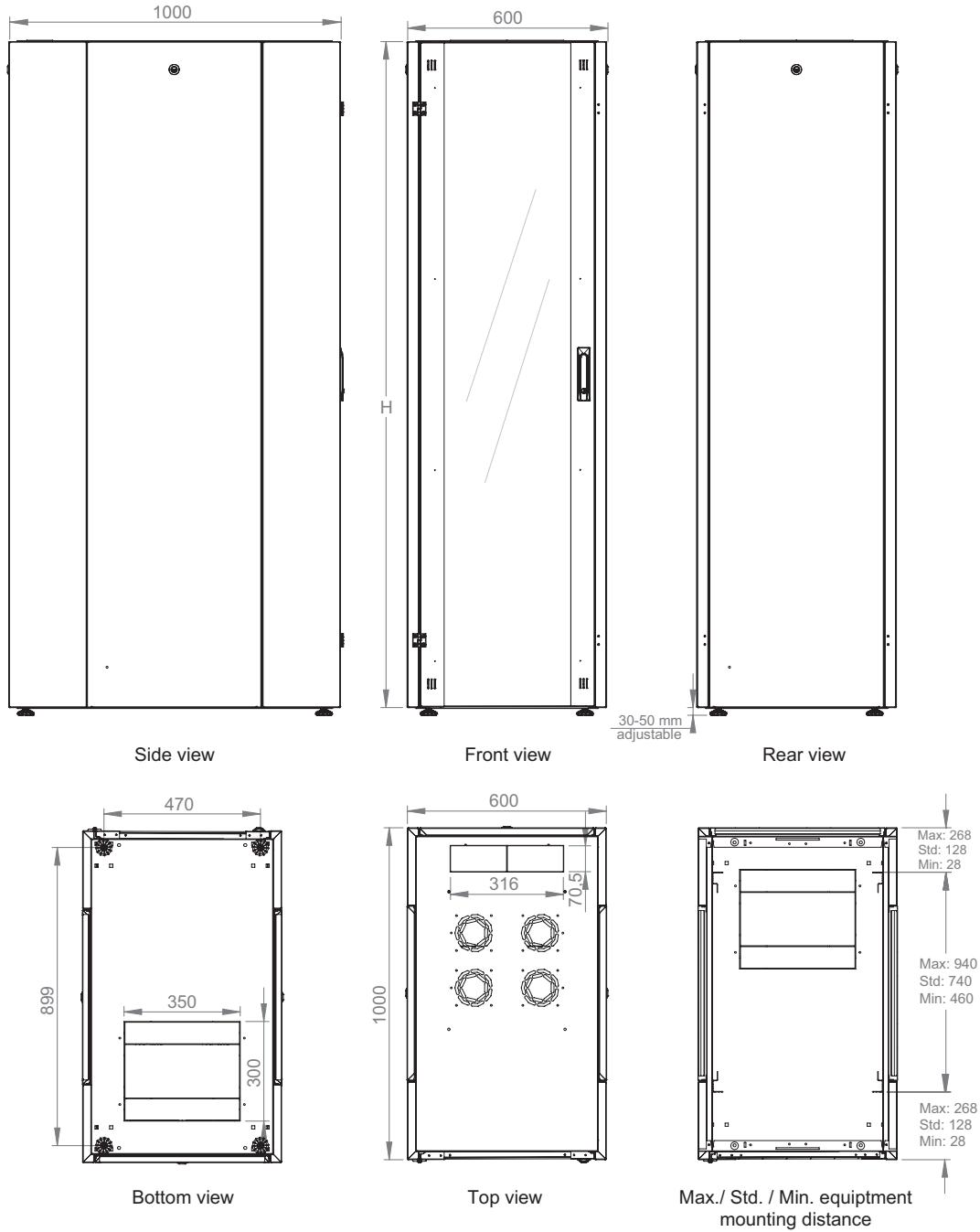
#### A/B/C Configurations in Product Number

Metal door - A configuration for W600 mm	Metal front door with external hinge mechanism and swinghandle single point cylinder lock. Metal rear panel with quarter turn lock.
Glass door - B configuration for W600 mm	Glass front door with external hinge mechanism and swinghandle single point cylinder lock. Metal rear panel with quarter turn lock.
Perforated door - C configuration for W600 mm	Perforated metal front door with external hinge mechanism and swinghandle single point cylinder lock. Perforated metal rear panel with quarter turn lock.

# 19" HYPERline Series

## Free Standing Cabinets

**Width: 600 mm**  
**Depth: 1000 mm**



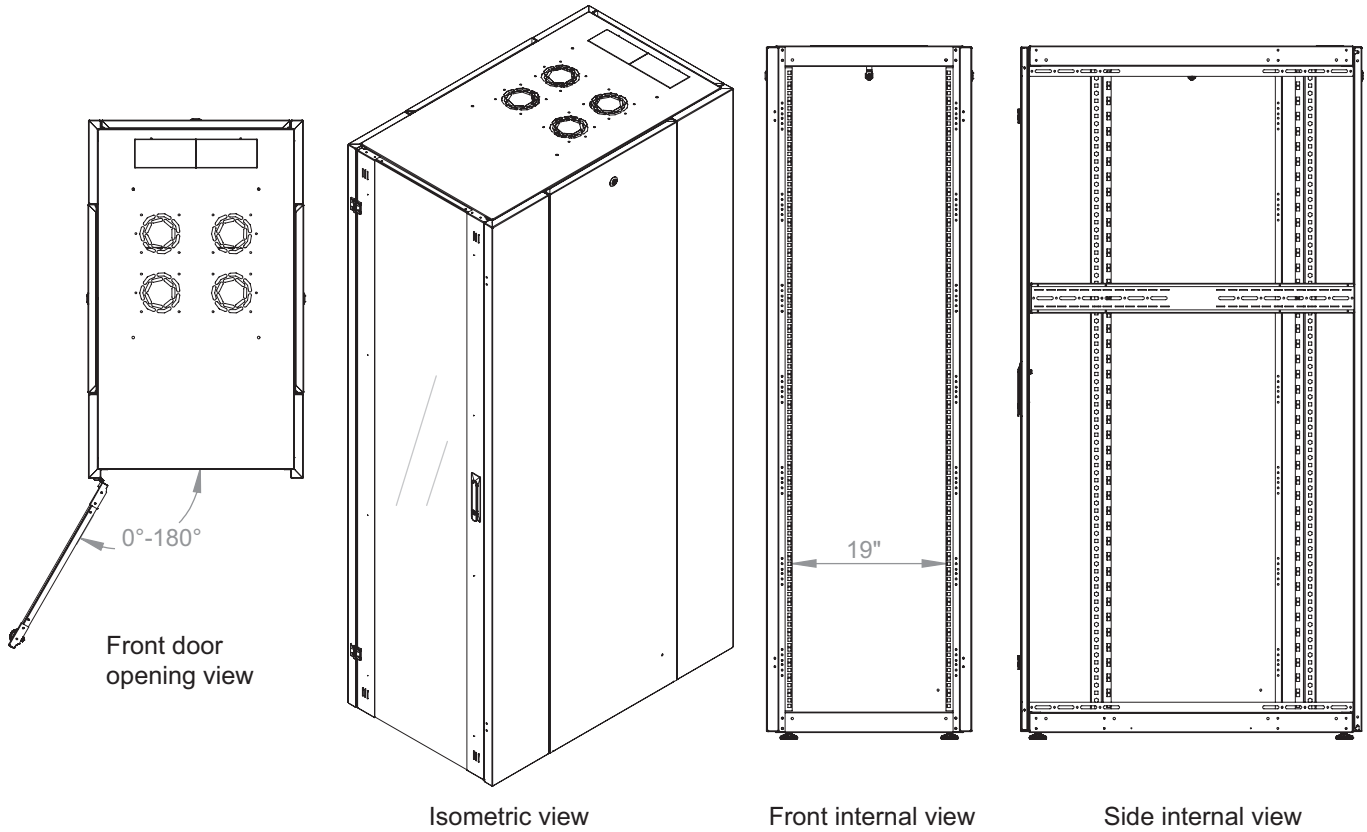
Part Definition	Material Quality	Material Thickness (mm)	Shipment Configuration
Top Bottom Case	DIN EN 10130-DC-01-6112 CRS	1,2 mm	2
Glass Door	EN 12150-1 Tempered Secure Glass	4 mm	1
19" Equipment Mounting Rails	DIN EN 10130-DC-01-6112 CRS	1,5 mm	4
Side and Rear Panels	DIN EN 10130-DC-01-6112 CRS	0,8 mm	3
Corner Profiles (Cabinet Frame and Long Profiles On Sides )	DIN EN 10130-DC-01-6112 CRS	1,2 mm	4

Metal door (A) and perforated metal door (C) options with 1,2 mm material thickness.  
4 mm thick EN 12150-1 compatible tempered glass door option (B) with 1,2 mm thick metal side frame.

# 19" HYPERline Series

## Free Standing Cabinets

Width: 600 mm  
Depth: 1000 mm



### HYPERline Series - Free Standing 19" Cabinets W600 mm x D1000 mm

Product Number	Series	Description	Dimensions WxDxH	QTY in Package	*H mm, overall without feet and/or castor, plinth
LN-HL22U6010-CC-(A/B/C)	HYPERline Series	22U 19" Free Standing Cabinets W=600 mm D=1000 mm	600x1000x1121	1	1121
LN-HL26U6010-CC-(A/B/C)	HYPERline Series	26U 19" Free Standing Cabinets W=600 mm D=1000 mm	600x1000x1299	1	1299
LN-HL32U6010-CC-(A/B/C)	HYPERline Series	32U 19" Free Standing Cabinets W=600 mm D=1000 mm	600x1000x1566	1	1566
LN-HL36U6010-CC-(A/B/C)	HYPERline Series	36U 19" Free Standing Cabinets W=600 mm D=1000 mm	600x1000x1744	1	1744
LN-HL42U6010-CC-(A/B/C)	HYPERline Series	42U 19" Free Standing Cabinets W=600 mm D=1000 mm	600x1000x2010	1	2010
LN-HL47U6010-CC-(A/B/C)	HYPERline Series	47U 19" Free Standing Cabinets W=600 mm D=1000 mm	600x1000x2232	1	2232

\* Please add 30 mm to H mm once used with leveling feet, add 85 mm to H mm once used with castor set.

### General Informations

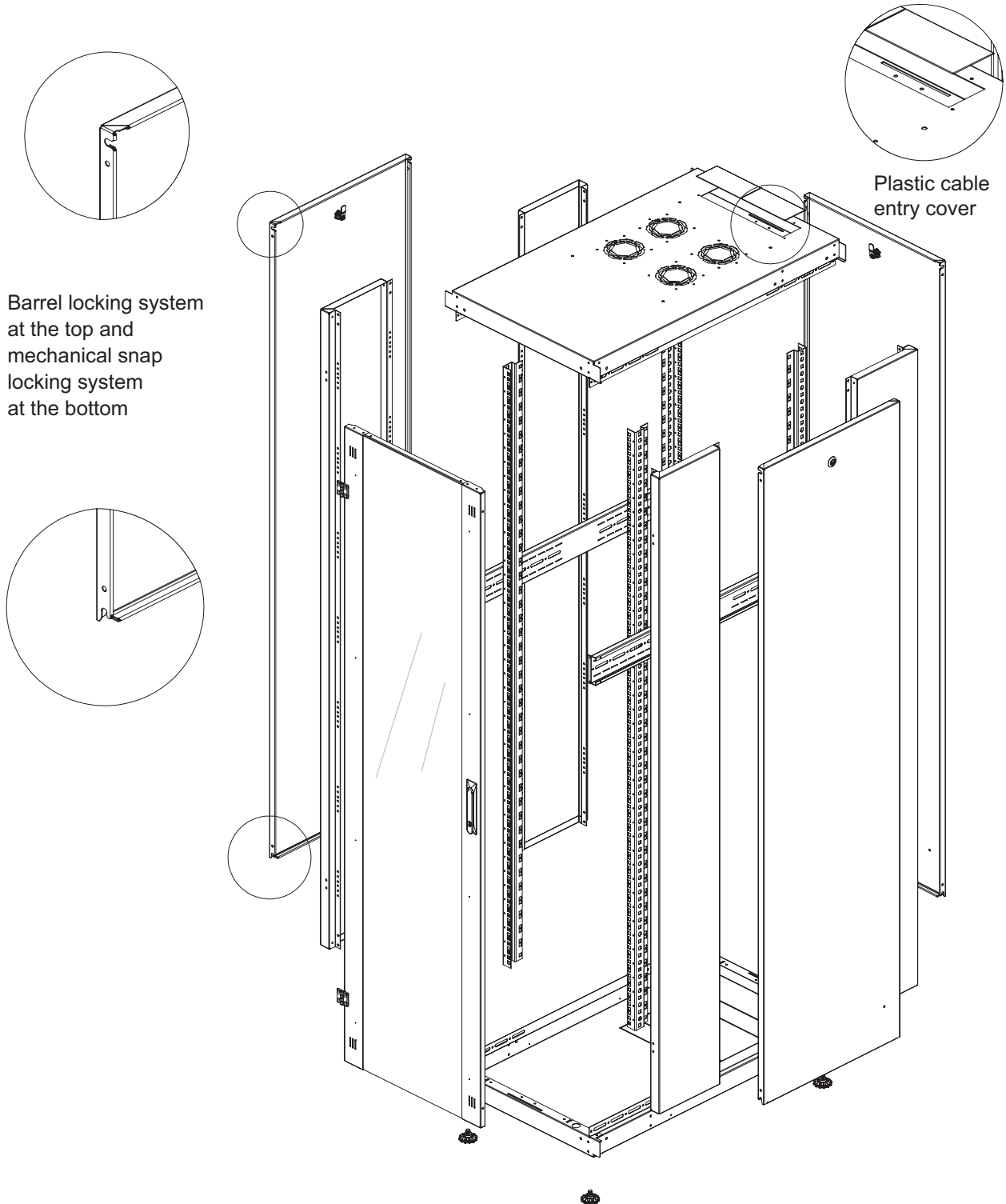
Flat pack / Assembled delivery	HYPERline Series designed for minimized disassembled flat-packed shipments for superior logistics advantages and cost savings. Lande sales representatives should be informed in case the order is assembled, otherwise the order would be sent as flat-packed.
Color selection	CC= Color Code please define while ordering the color code as LG Light Grey RAL 7035, BL Black RAL 9005.

# 19" HYPERline Series

## Free Standing Cabinets

### Exploded View

Width: 600 mm  
Depth: 1000 mm



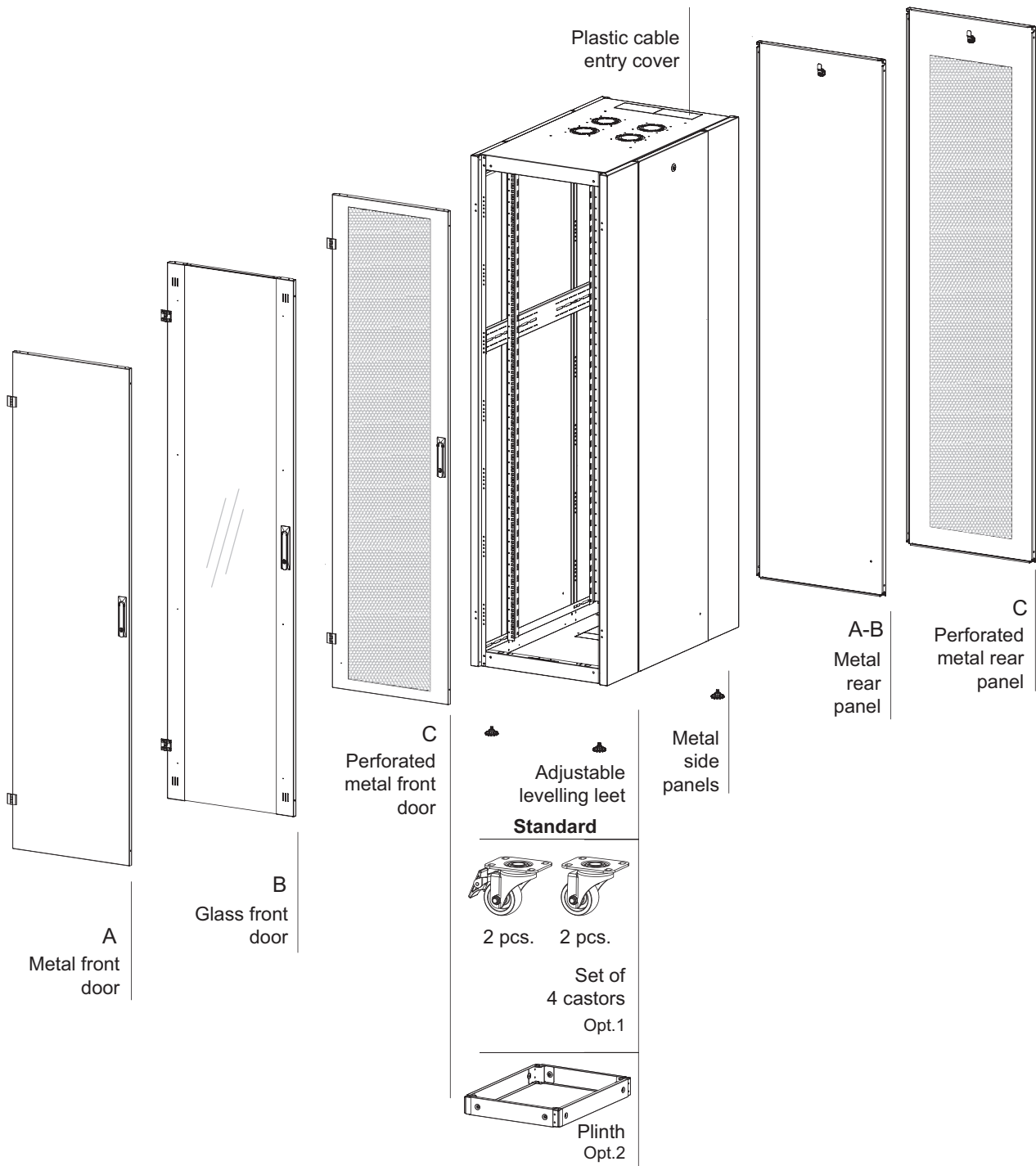


# 19" HYPERline Series

## Free Standing Cabinets

### Exploded View Options

Width: 600 mm  
Depth: 1000 mm

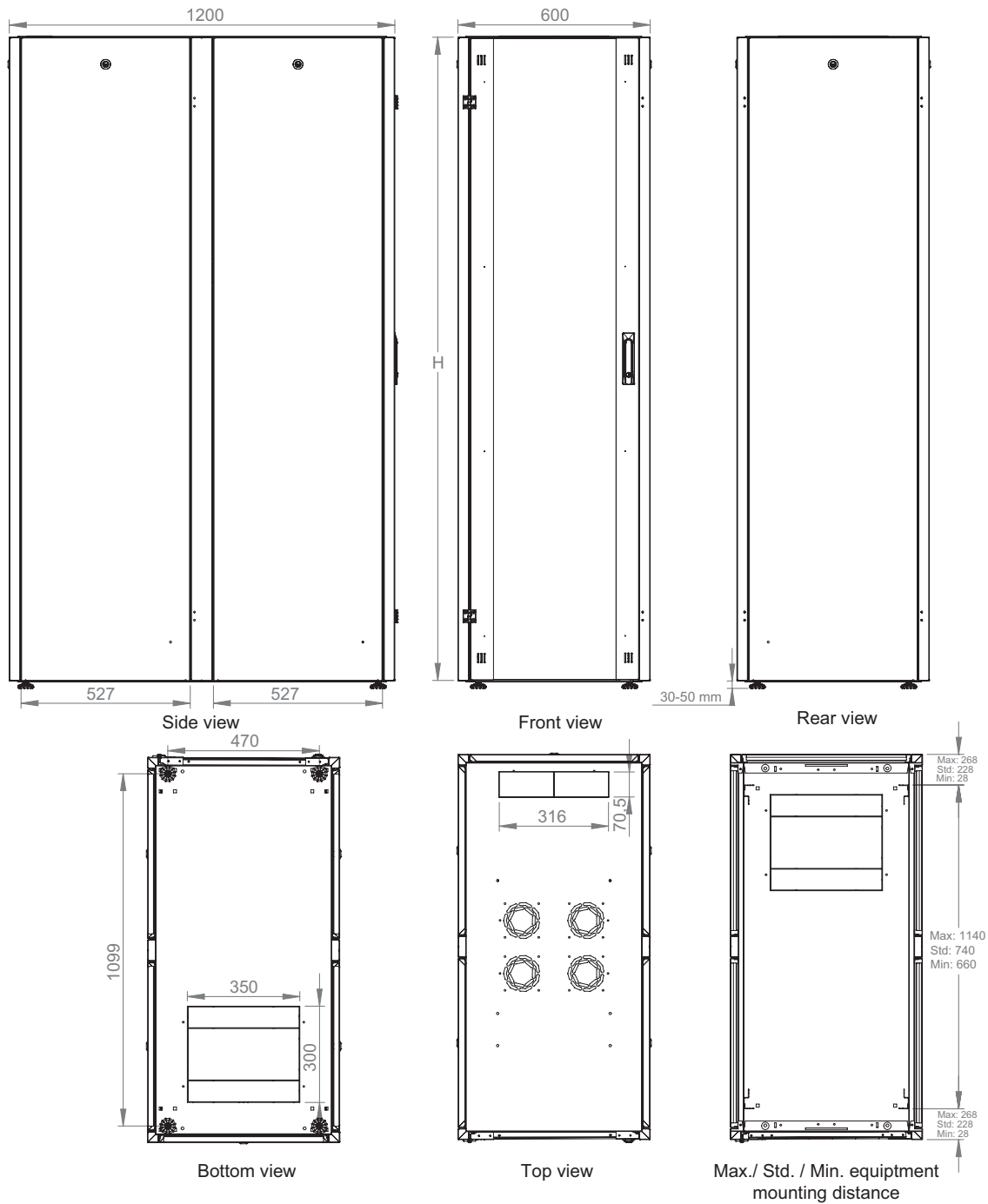


A/B/C Configurations in Product Number	
Metal door - A configuration for W600 mm	Metal front door with external hinge mechanism and swinghandle single point cylinder lock. Metal rear panel with quarter turn lock.
Glass door - B configuration for W600 mm	Glass front door with external hinge mechanism and swinghandle single point cylinder lock. Metal rear panel with quarter turn lock.
Perforated door - C configuration for W600 mm	Perforated metal front door with external hinge mechanism and swinghandle single point cylinder lock. Perforated metal rear panel with quarter turn lock.

# 19" HYPERline Series

## Free Standing Cabinets

**Width: 600 mm**  
**Depth: 1200 mm**



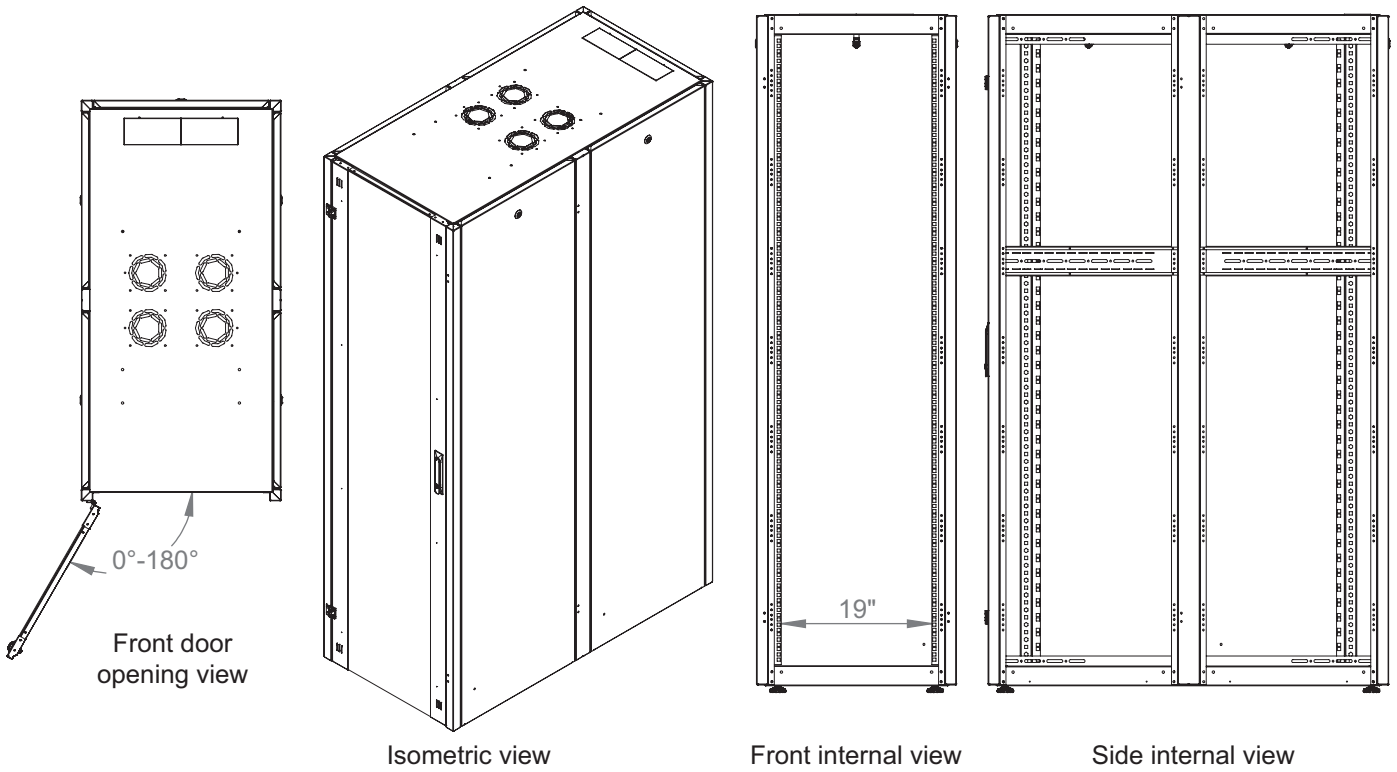
Part Definition	Material Quality	Material Thickness (mm)	Shipment Configuration
Top Bottom Case	DIN EN 10130-DC-01-6112 CRS	1,2 mm	2
Glass Door	EN 12150-1 Tempered Secure Glass	4 mm	1
19" Equipment Mounting Rails	DIN EN 10130-DC-01-6112 CRS	1,5 mm	4
Side and Rear Panels	DIN EN 10130-DC-01-6112 CRS	0,8 mm	5
Side Horizontal Support Bars	DIN EN 10130-DC-01-6112 CRS	1,2 mm	4

Metal door (A) and perforated metal door (C) options with 1,2 mm material thickness.  
4 mm thick EN 12150-1 compatible tempered glass door option (B) with 1,2 mm thick metal side frame.

# 19" HYPERline Series

## Free Standing Cabinets

Width: 600 mm  
Depth: 1200 mm



Isometric view

Front internal view

Side internal view

### HYPERline Series - Free Standing 19" Cabinets W600 mm x D1200 mm

Product Number	Series	Description	Dimensions WxDxH	QTY in Package	*H mm, overall without feet and/or castor, plinth
LN-HL42U6012-CC-(A/B/C)	HYPERline Series	42U 19" Free Standing Cabinets W=600 mm D=1200 mm	600x1200x2010	1	2010
LN-HL47U6012-CC-(A/B/C)	HYPERline Series	47U 19" Free Standing Cabinets W=600 mm D=1200 mm	600x1200x2232	1	2232

\* Please add 30 mm to H mm once used with leveling feet, add 85 mm to H mm once used with castor set.

### General Informations

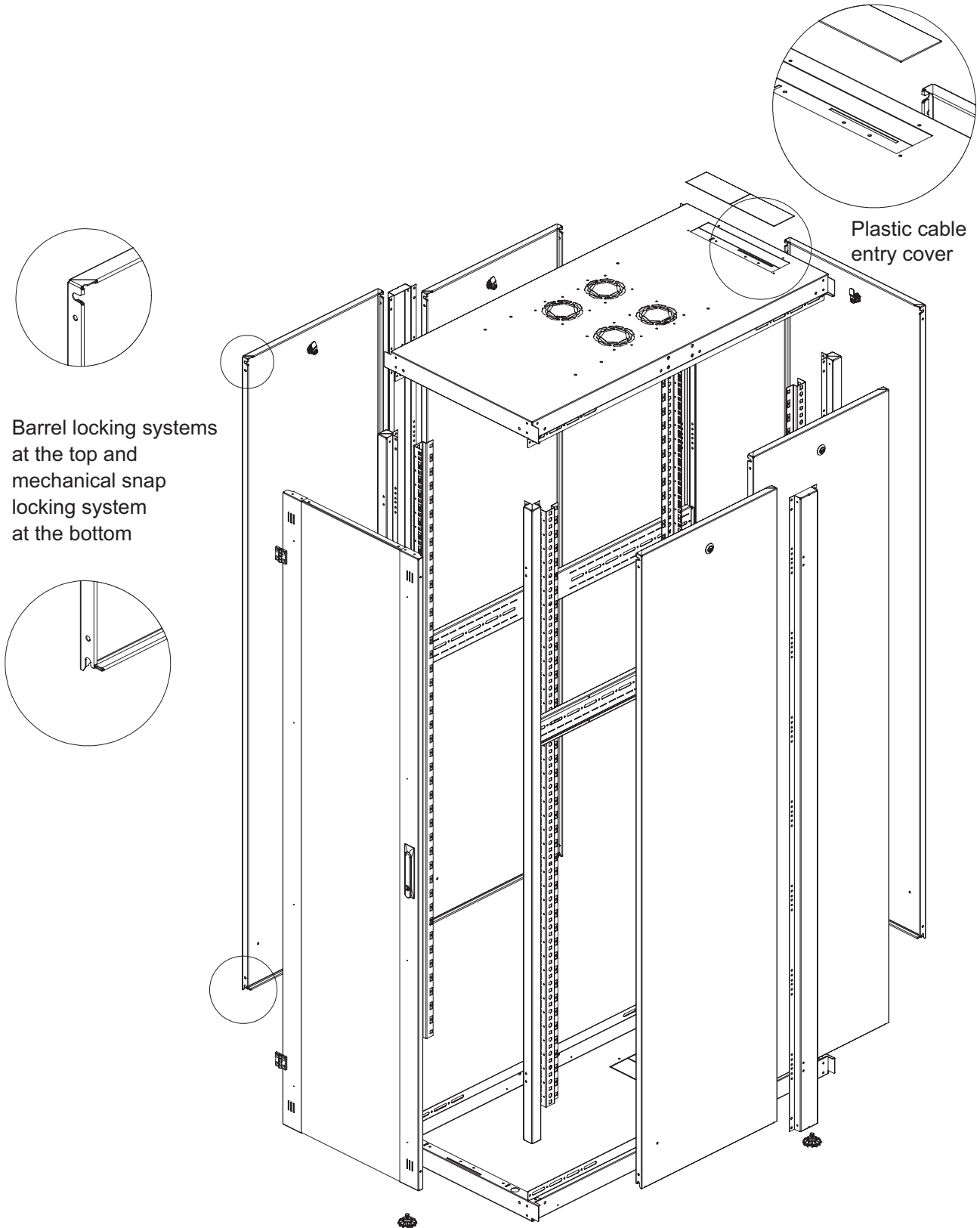
Flat pack / Assembled delivery	HYPERline Series designed for minimized disassembled flat-packed shipments for superior logistics advantages and cost savings. Lande sales representatives should be informed in case the order is assembled, otherwise the order would be sent as flat-packed.
Color selection	CC= Color Code please define while ordering the color code as LG Light Grey RAL 7035, BL Black RAL 9005.

# 19" HYPERline Series

## Free Standing Cabinets

### Exploded View

Width: 600 mm  
Depth: 1200 mm

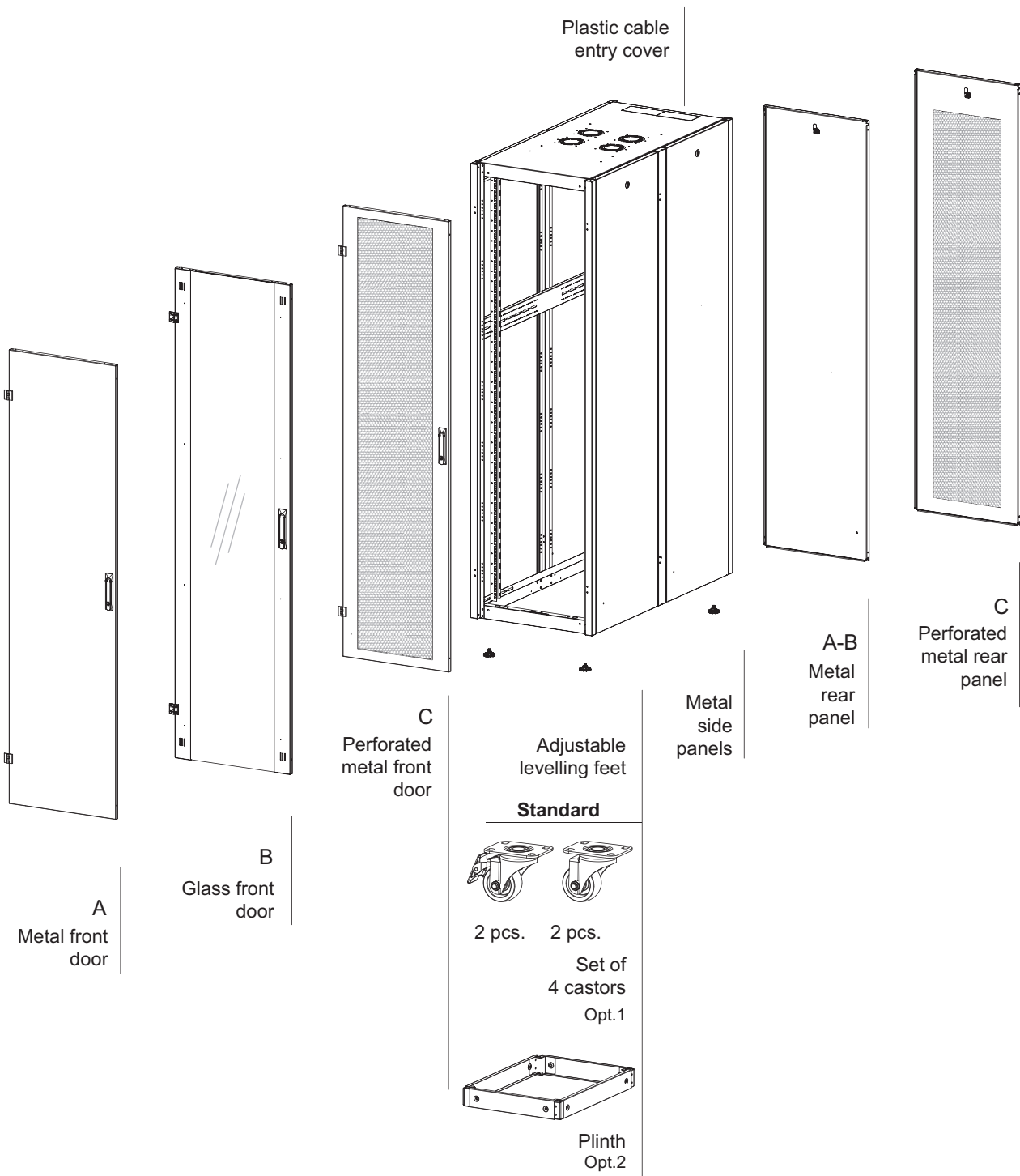


# 19" HYPERline Series

## Free Standing Cabinets

### Exploded View Options

Width: 600 mm  
Depth: 1200 mm



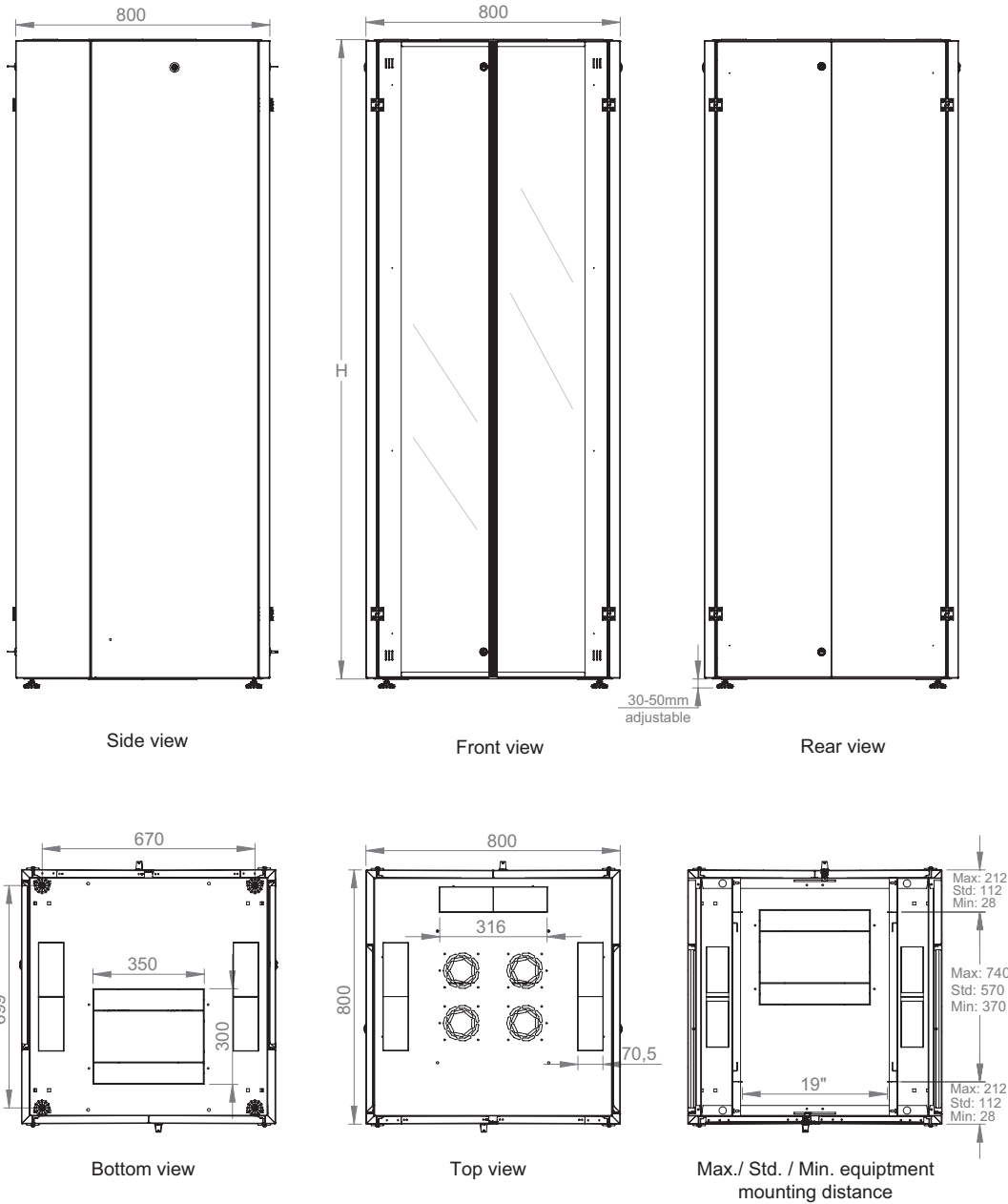
#### A/B/C Configurations in Product Number

Metal door - A configuration for W600 mm	Metal front door with external hinge mechanism and swinghandle single point cylinder lock. Metal rear panel with quarter turn lock.
Glass door - B configuration for W600 mm	Glass front door with external hinge mechanism and swinghandle single point cylinder lock. Metal rear panel with quarter turn lock.
Perforated door - C configuration for W600 mm	Perforated metal front door with external hinge mechanism and swinghandle single point cylinder lock. Perforated metal rear panel with quarter turn lock.

# 19" HYPERline Series

## Free Standing Cabinets

**Width: 800 mm**  
**Depth: 800 mm**



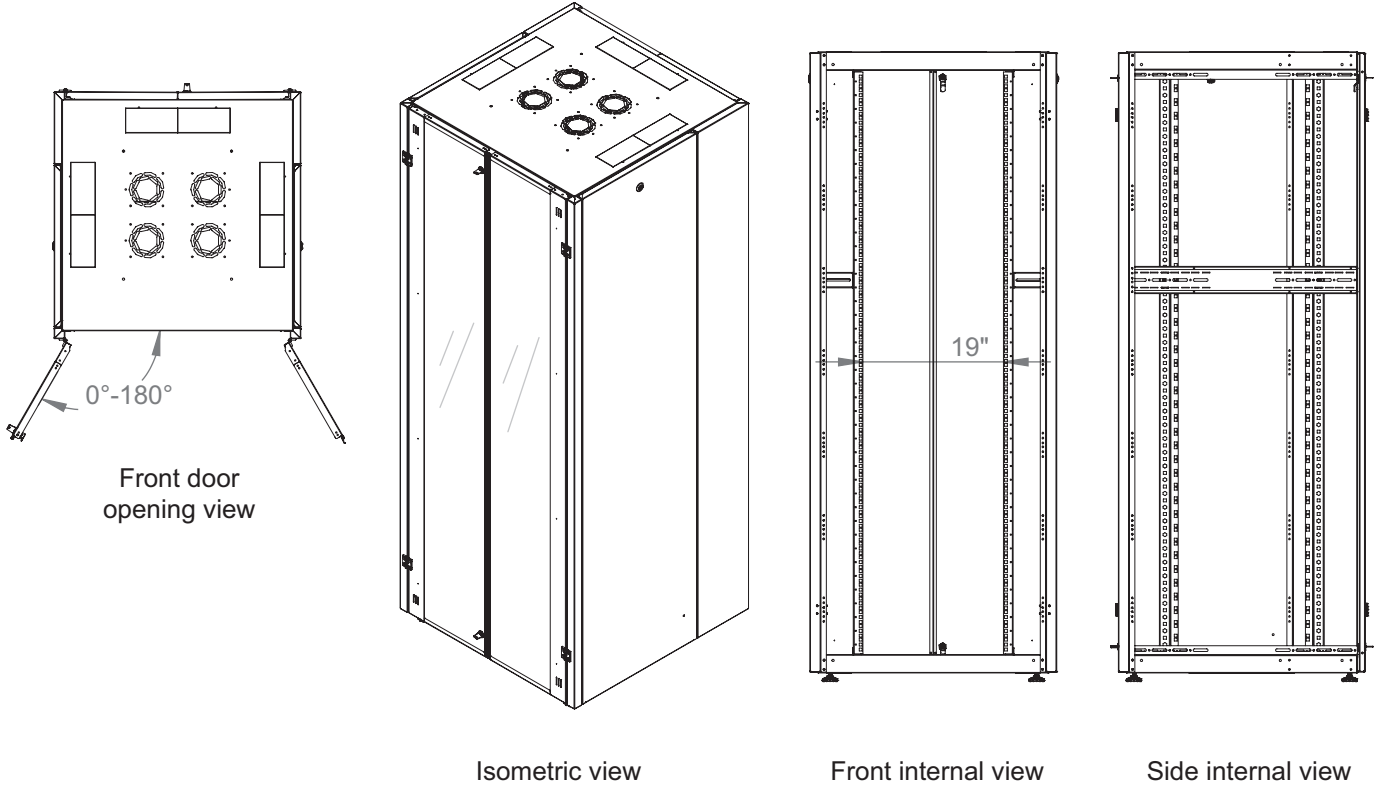
Part Definition	Material Quality	Material Thickness (mm)	Shipment Configuration
Top Bottom Case	DIN EN 10130-DC-01-6112 CRS	1,2 mm	2
Glass Door	EN 12150-1 Tempered Secure Glass	4 mm	2
19" Equipment Mounting Rails	DIN EN 10130-DC-01-6112 CRS	1,5 mm	4
Rear Doors	DIN EN 10130-DC-01-6112 CRS	1 mm	2
Side Panels	DIN EN 10130-DC-01-6112 CRS	0,8 mm	2
Side Horizontal Support Bars	DIN EN 10130-DC-01-6112 CRS	1,2 mm	2
Corner Profiles (Cabinet Frame and Long Profiles On Sides )	DIN EN 10130-DC-01-6112 CRS	1,2 mm	2

Metal door (A) and perforated metal door (C) options with 1,2 mm material thickness.  
4 mm thick EN 12150-1 compatible tempered glass door option (B) with 1,2 mm thick metal side frame.

# 19" HYPERline Series

## Free Standing Cabinets

**Width: 800 mm**  
**Depth: 800 mm**



### HYPERline Series - Free Standing 19" Cabinets W800 mm x D800 mm

Product Number	Series	Description	Dimensions WxDxH	QTY in Package	*H mm, overall without feet and/or castor, plinth
LN-HL26U8080-CC-(A/B/C)	HYPERline Series	26U 19" Free Standing Cabinets W=800 mm D=800 mm	800x800x1299	1	1299
LN-HL32U8080-CC-(A/B/C)	HYPERline Series	32U 19" Free Standing Cabinets W=800 mm D=800 mm	800x800x1566	1	1566
LN-HL36U8080-CC-(A/B/C)	HYPERline Series	36U 19" Free Standing Cabinets W=800 mm D=800 mm	800x800x1744	1	1744
LN-HL42U8080-CC-(A/B/C)	HYPERline Series	42U 19" Free Standing Cabinets W=800 mm D=800 mm	800x800x2010	1	2010
LN-HL47U8080-CC-(A/B/C)	HYPERline Series	47U 19" Free Standing Cabinets W=800 mm D=800 mm	800x800x2232	1	2232
LN-KDG-ORG-26EU-CC	Accessory	26U Metal Cable Management panel set left/right	97x97x1173	1	-
LN-KDG-ORG-32EU-CC	Accessory	32U Metal Cable Management panel set left/right	97x97x1440	1	-
LN-KDG-ORG-36EU-CC	Accessory	36U Metal Cable Management panel set left/right	97x97x1620	1	-
LN-KDG-ORG-42EU-CC	Accessory	42U Metal Cable Management panel set left/right	97x97x1885	1	-
LN-KDG-ORG-47EU-CC	Accessory	47U Metal Cable Management panel set left/right	97x97x2109	1	-

\* Please add 30 mm to H mm once used with leveling feet, add 85 mm to H mm once used with castor set.

### General Informations

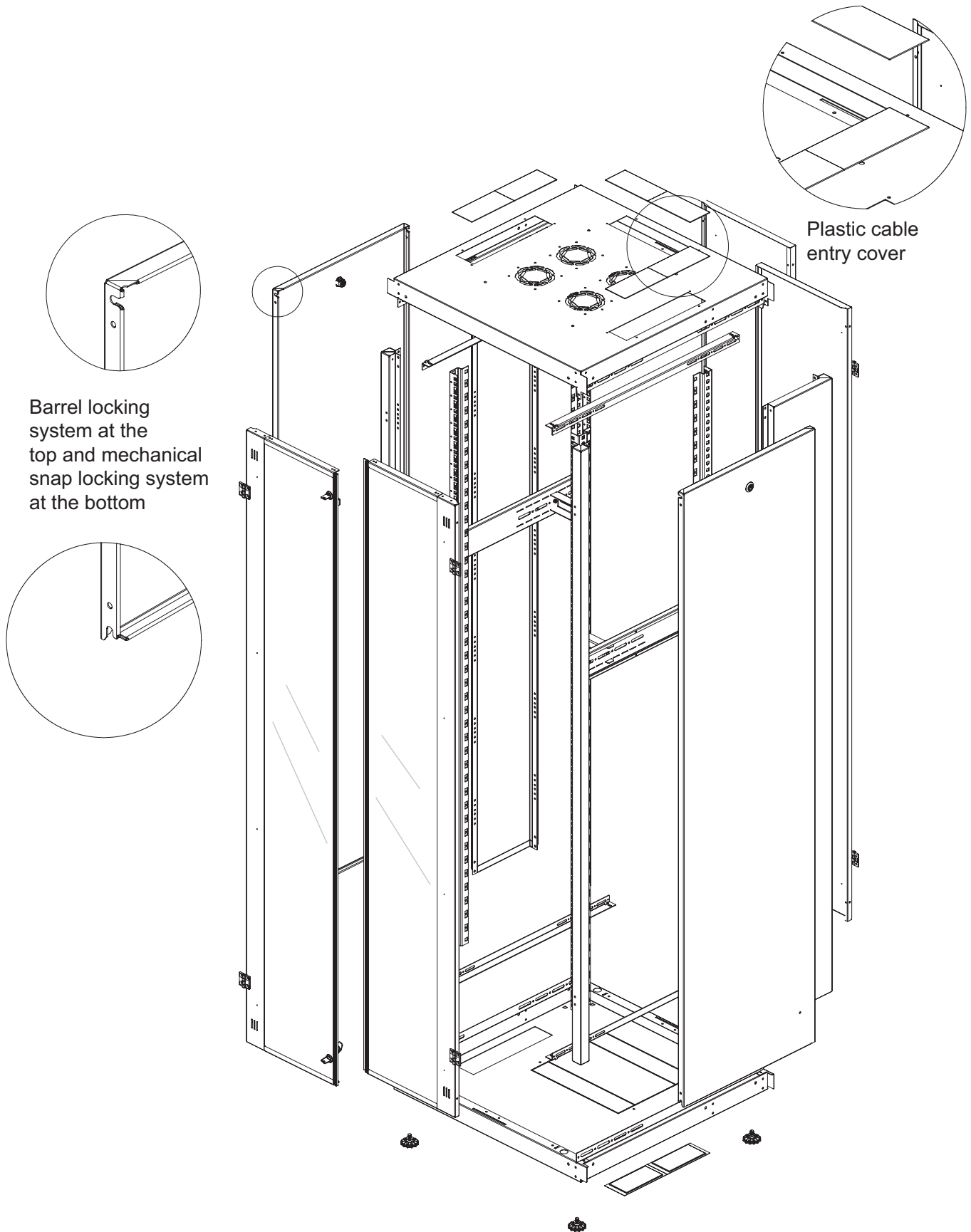
Flat pack / Assembled delivery	HYPERline Series designed for minimized disassembled flat-packed shipments for superior logistics advantages and cost savings. Lande sales representatives should be informed in case the order is assembled, otherwise the order would be sent as flat - packed.
Color selection	CC= Color Code please define while ordering the color code as LG Light Grey RAL 7035, BL Black RAL 9005.

# 19" HYPERline Series

## Free Standing Cabinets

### Exploded View

Width: 800 mm  
Depth: 800 mm



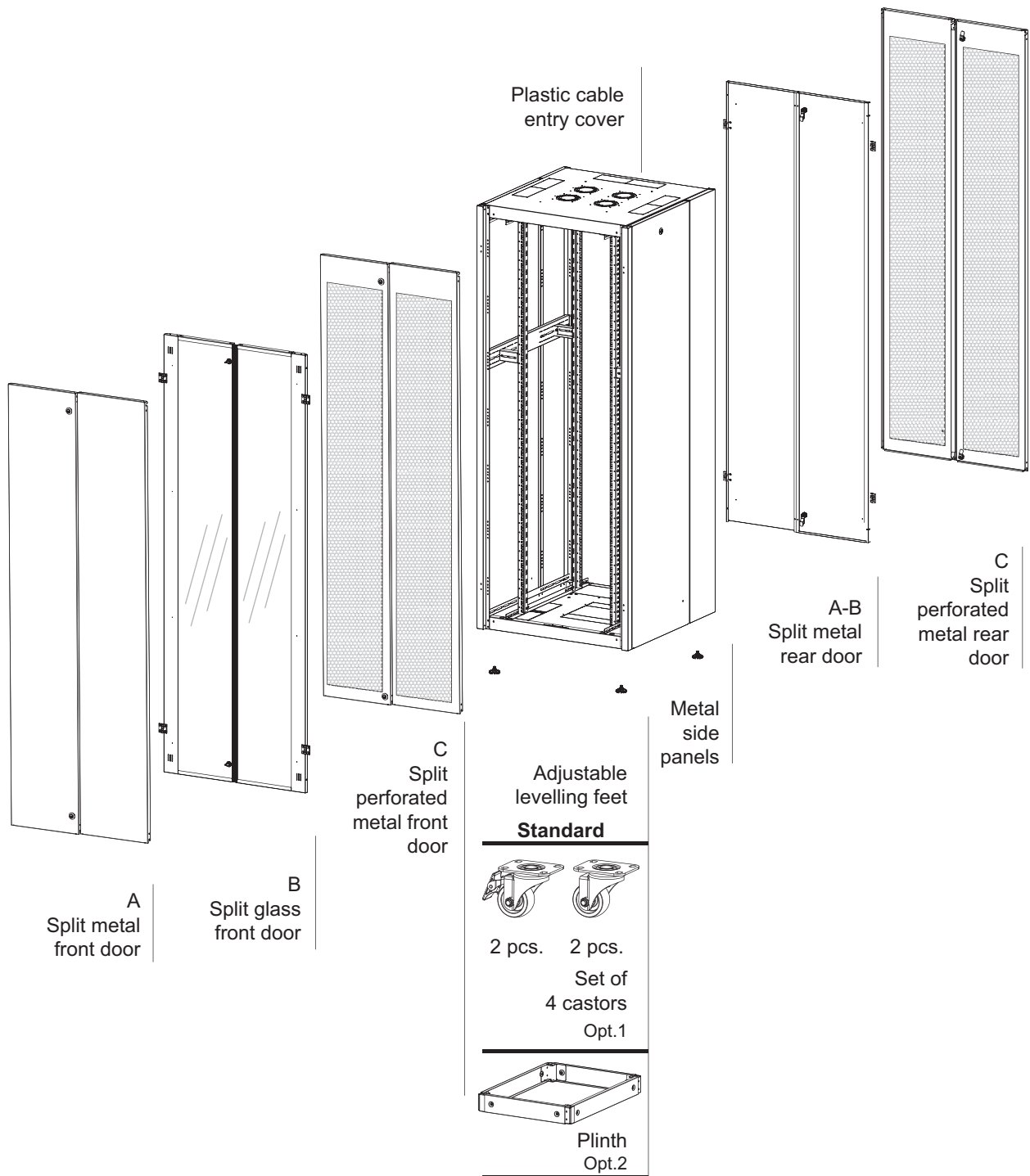


# 19" HYPERline Series

## Free Standing Cabinets

### Exploded View Options

Width: 800 mm  
Depth: 800 mm



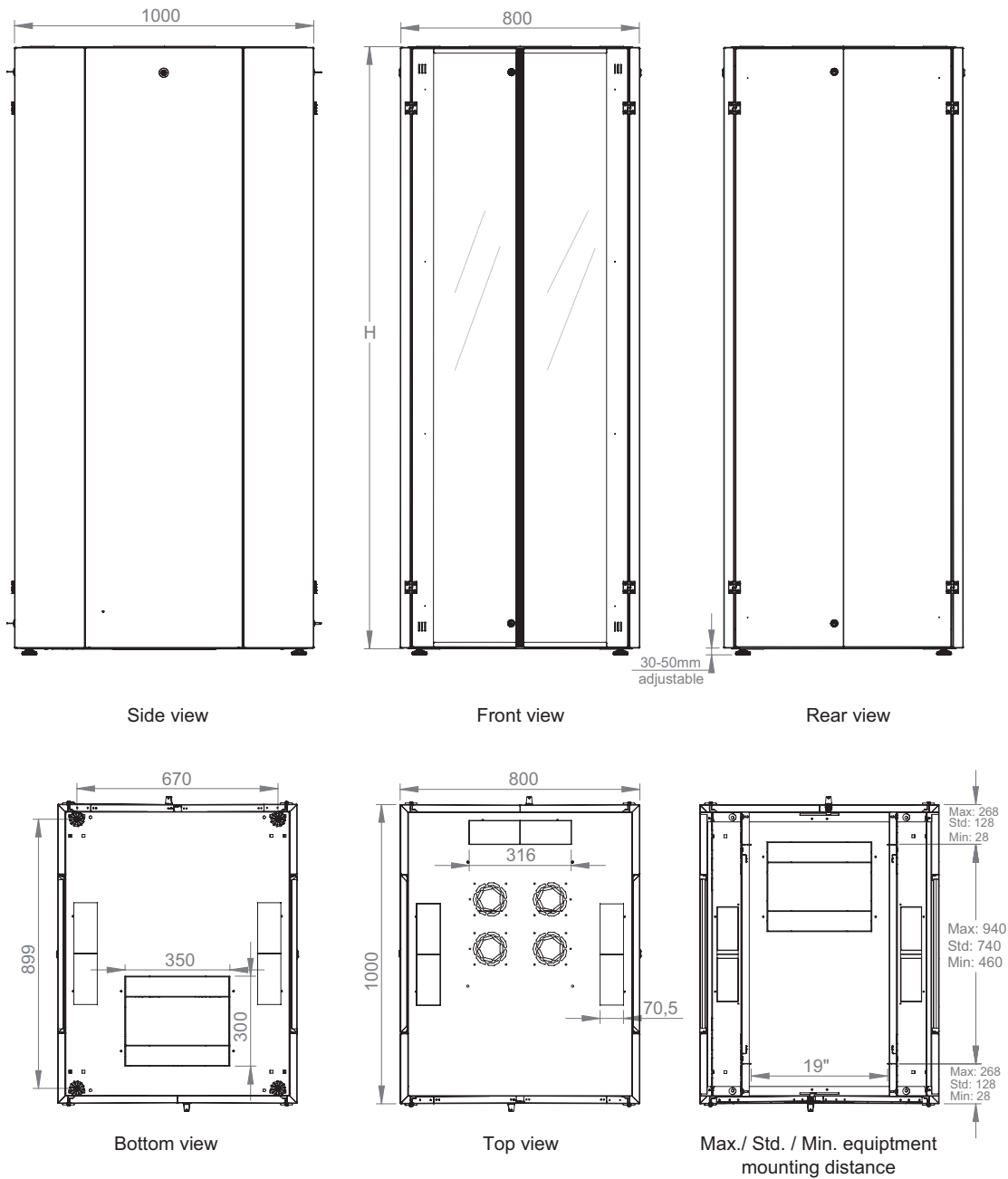
#### A/B/C Configurations in Product Number

Metal door - A configuration for W800 mm	Split metal front and rear doors with external hinge mechanism and double quarter turn locks.
Glass door - B configuration for W800 mm	Split glass front doors with external hinge mechanism and double quarter turn locks. Split metal rear doors with external hinge mechanism and double quarter turn locks.
Perforated door - C configuration for W800 mm	Split perforated metal front and rear door with external hinge mechanism and double quarter turn locks.

# 19" HYPERline Series

## Free Standing Cabinets

**Width: 800 mm**  
**Depth: 1000 mm**



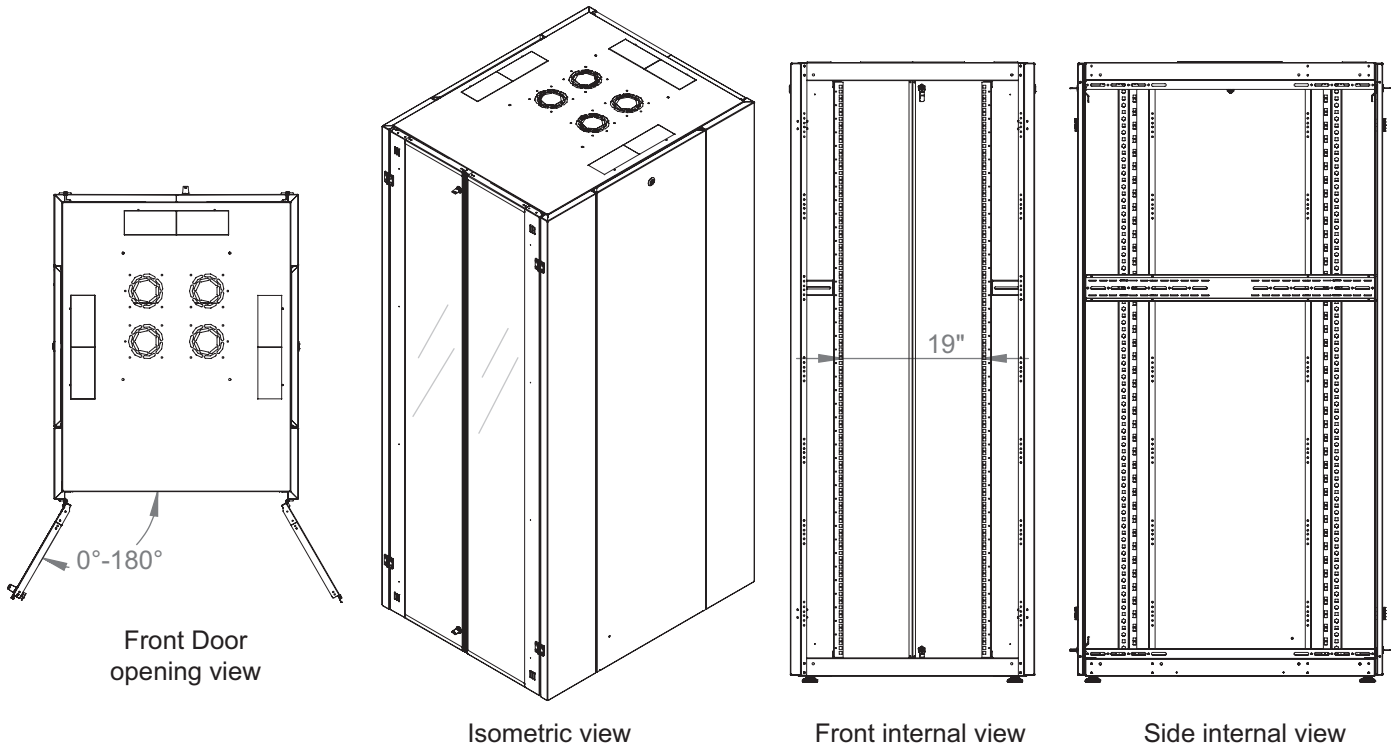
Part Definition	Material Quality	Material Thickness (mm)	Shipment Configuration
Top Bottom Case	DIN EN 10130-DC-01-6112 CRS	1,2 mm	2
Glass Door	EN 12150-1 Tempered Secure Glass	4 mm	2
19" Equipment Mounting Rails	DIN EN 10130-DC-01-6112 CRS	1,5 mm	4
Rear Doors	DIN EN 10130-DC-01-6112 CRS	1 mm	2
Side Panels	DIN EN 10130-DC-01-6112 CRS	0,8 mm	2
Corner Profiles (Cabinet Frame and Long Profiles On Sides )	DIN EN 10130-DC-01-6112 CRS	1,2 mm	4

Metal door (A) and perforated metal door (C) options with 1,2 mm material thickness.  
4 mm thick EN 12150-1 compatible tempered glass door option (B) with 1,2 mm thick metal side frame.

# 19" HYPERline Series

## Free Standing Cabinets

Width: 800 mm  
Depth: 1000 mm



### HYPERline Series - Free Standing 19" Cabinets W800 mm x D1000 mm

Product Number	Series	Description	Dimensions WxDxH	QTY in Package	*H mm, overall without feet and/or castor, plinth
LN-HL42U8010-CC-(A/B/C)	HYPERline Series	42U 19" Free Standing Cabinets W=800 mm D=1000 mm	800x1000x2010	1	2010
LN-HL47U8010-CC-(A/B/C)	HYPERline Series	47U 19" Free Standing Cabinets W=800 mm D=1000 mm	800x1000x2232	1	2232
LN-KDG-ORG-42EU-CC	Accessory	42U Metal Cable Management panel set left/right	97x97x1885	1	-
LN-KDG-ORG-47EU-CC	Accessory	47U Metal Cable Management panel set left/right	97x97x2109	1	-

\* Please add 30 mm to H mm once used with leveling feet, add 85 mm to H mm once used with castor set.

### General Informations

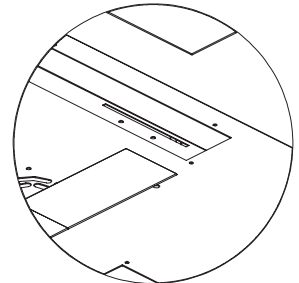
Flat pack / Assembled delivery	HYPERline Series designed for minimized disassembled flat-packed shipments for superior logistics advantages and cost savings. Lande sales representatives should be informed in case the order is assembled, otherwise the order would be sent as flat-packed.
Color selection	CC= Color Code please define while ordering the color code as LG Light Grey RAL 7035, BL Black RAL 9005.

# 19" HYPERline Series

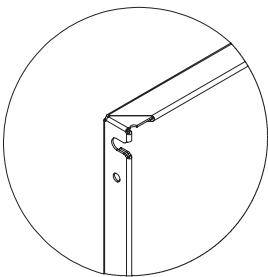
## Free Standing Cabinets

### Exploded View

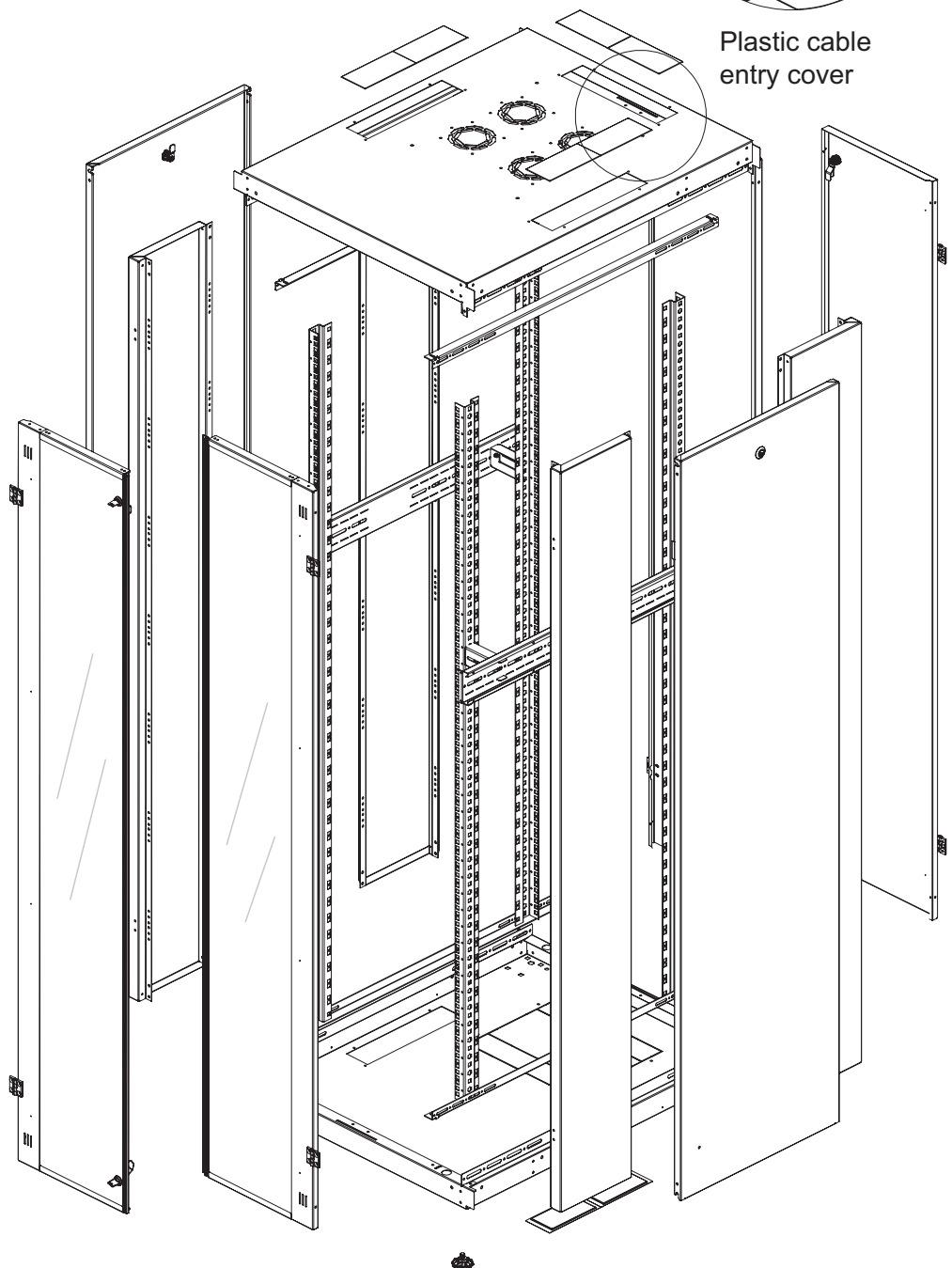
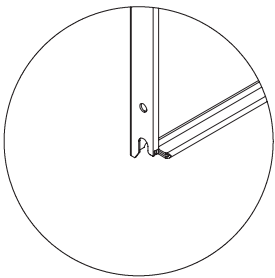
Width: 800 mm  
Depth: 1000 mm



Plastic cable entry cover



Barrel locking system at the top and mechanical snap locking system at the bottom

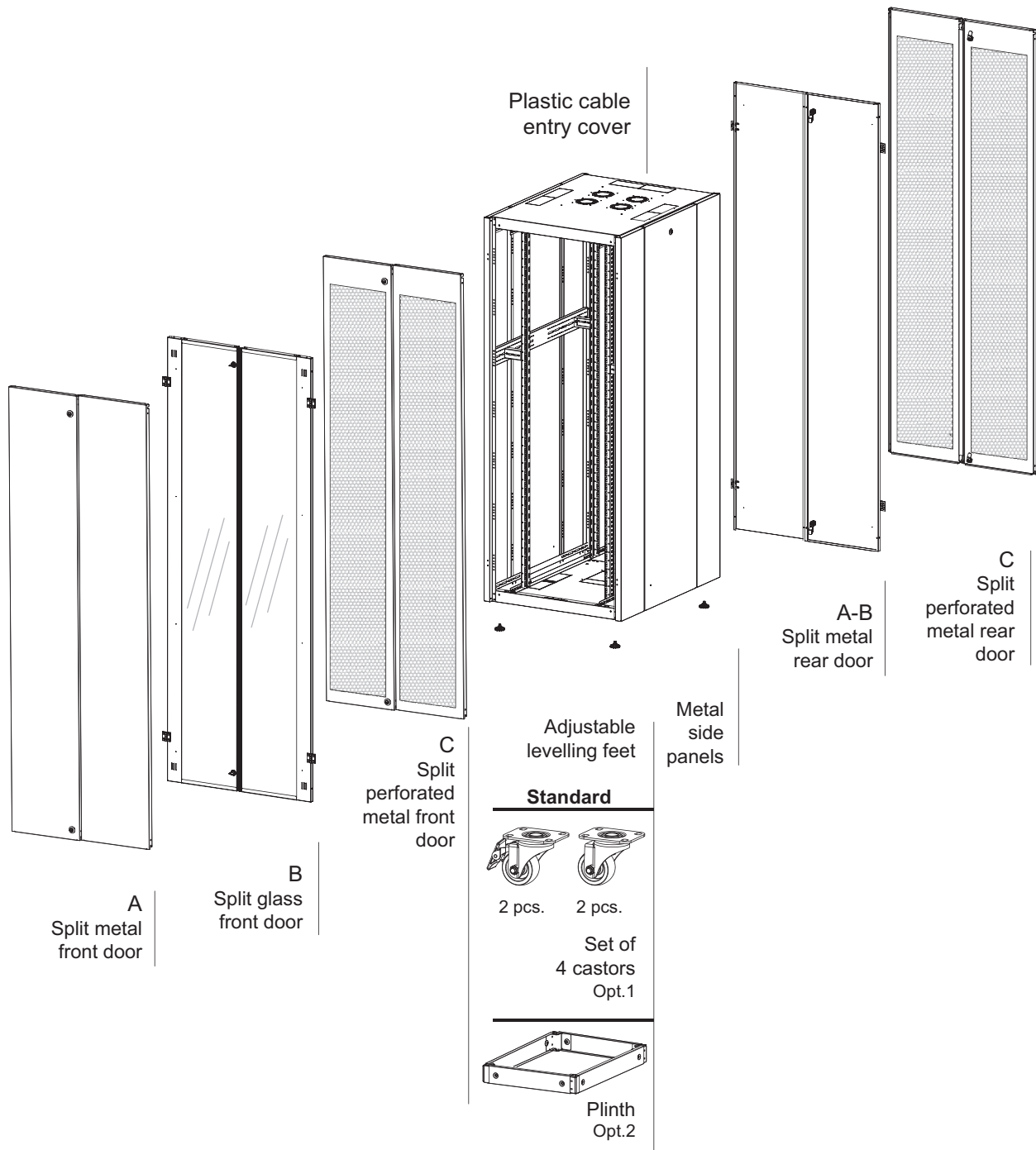


# 19" HYPERline Series

## Free Standing Cabinets

### Exploded View Options

Width: 800 mm  
Depth: 1000 mm



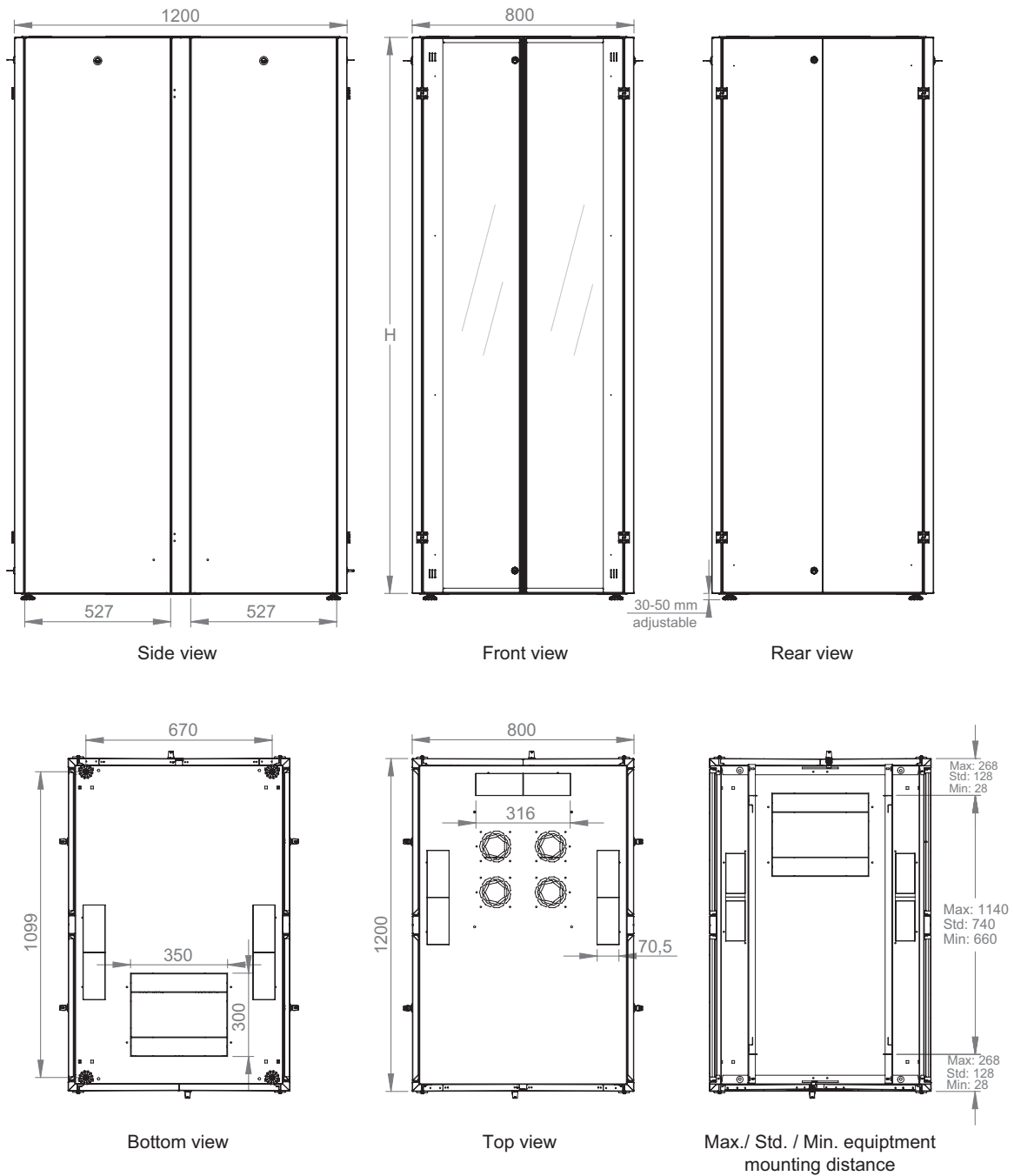
#### A/B/C Configurations in Product Number

Metal Door - A configuration for W800 mm	Split metal front and rear doors with external hinge mechanism and double quarter turn locks.
Glass door - B configuration for W800 mm	Split glass front doors with external hinge mechanism and double quarter turn locks. Split metal rear doors with external hinge mechanism and double quarter turn locks.
Perforated door - C configuration for W800 mm	Split perforated metal front and rear door with external hinge mechanism and double quarter turn locks.

# 19" HYPERline Series

## Free Standing Cabinets

**Width: 800 mm**  
**Depth: 1200 mm**



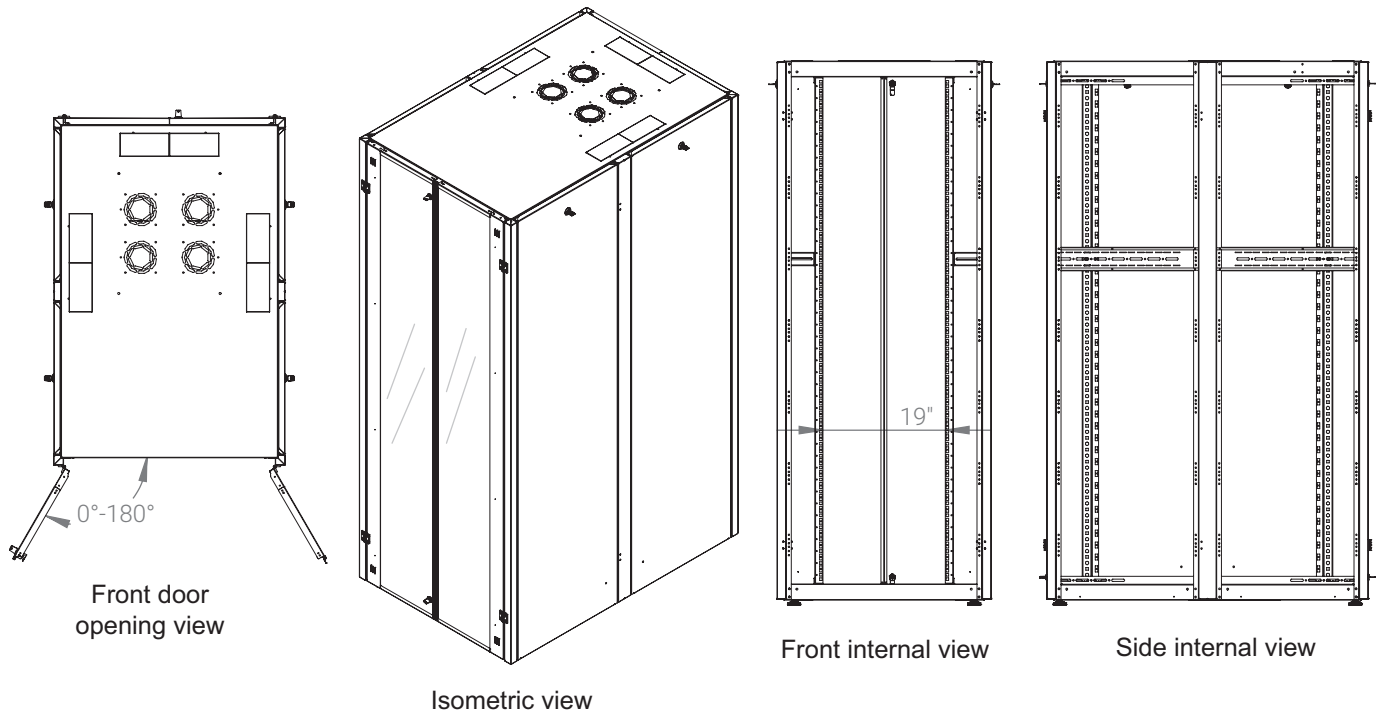
Part Definition	Material Quality	Material Thickness (mm)	Shipment Configuration
Top Bottom Case	DIN EN 10130-DC-01-6112 CRS	1,2 mm	2
Glass Door	EN 12150-1 Tempered Secure Glass	4 mm	2
19" Equipment Mounting Rails	DIN EN 10130-DC-01-6112 CRS	1,5 mm	4
Rear Doors	DIN EN 10130-DC-01-6112 CRS	1 mm	2
Side Panels	DIN EN 10130-DC-01-6112 CRS	0,8 mm	4
Side Horizontal Support Bars	DIN EN 10130-DC-01-6112 CRS	1,2 mm	4

Metal door (A) and perforated metal door (C) options with 1,2 mm material thickness.  
4 mm thick EN 12150-1 compatible tempered glass door option (B) with 1,2 mm thick metal side frame.

# 19" HYPERline Series

## Free Standing Cabinets

Width: 800 mm  
Depth: 1200 mm



### HYPERline Series - Free Standing 19" Cabinets W800 mm x D1200 mm

Product Number	Series	Description	Dimensions WxDxH	QTY in Package	*H mm, overall without feet and/or castor, plinth
LN-HL42U8012-CC-(A/B/C)	HYPERline Series	42U 19" Free Standing Cabinets W=800 mm D=1200 mm	800x1200x2010	1	2010
LN-HL47U8012-CC-(A/B/C)	HYPERline Series	47U 19" Free Standing Cabinets W=800 mm D=1200 mm	800x1200x2232	1	2232
LN-KDG-ORG-42EU-CC	Accessory	42U Metal Cable Management panel set left/right	97x97x1885	1	-
LN-KDG-ORG-47EU-CC	Accessory	47U Metal Cable Management panel set left/right	97x97x2109	1	-

\* Please add 30 mm to H mm once used with leveling feet, add 85 mm to H mm once used with castor set.

### General Informations

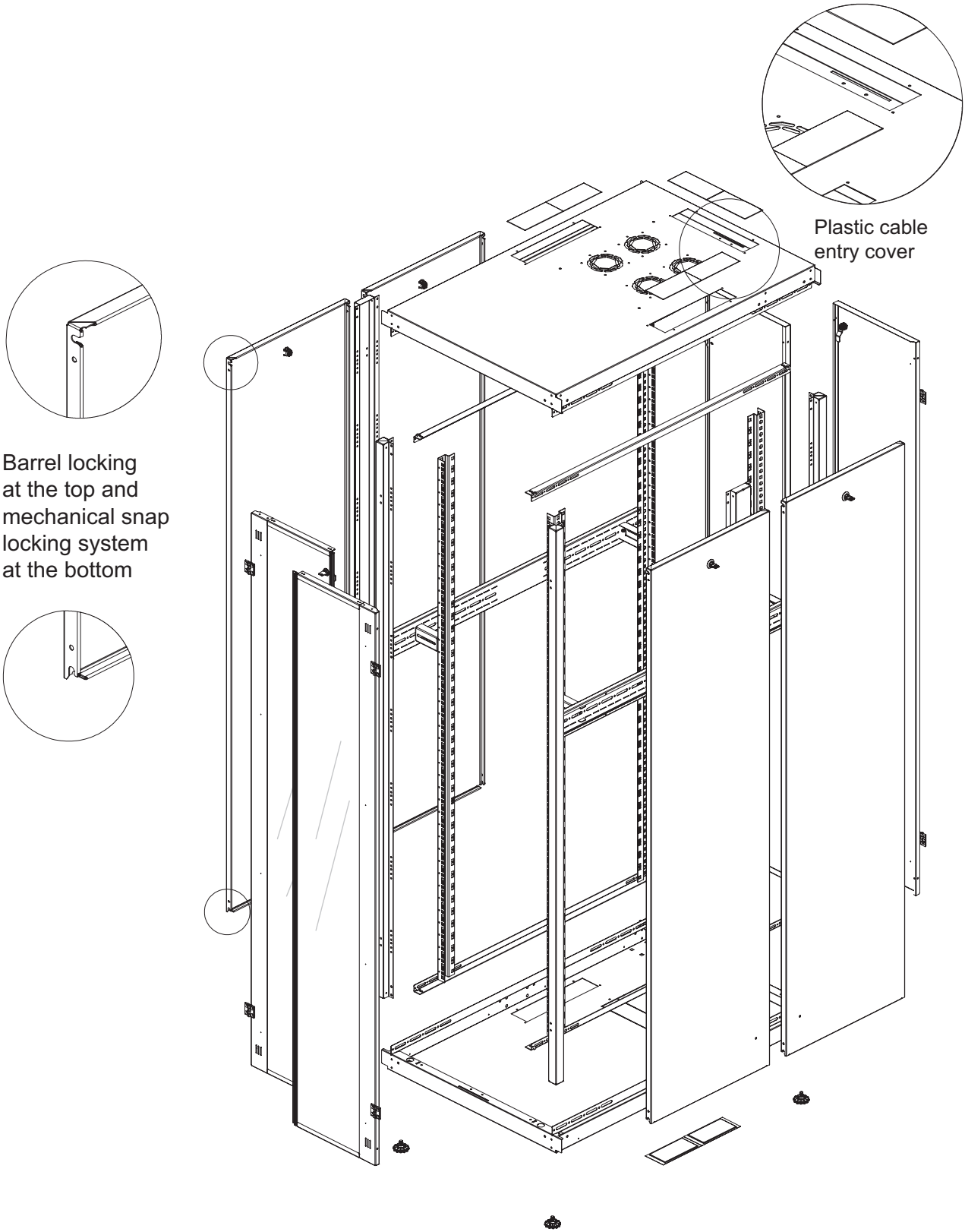
Flat pack / Assembled delivery	HYPERline Series designed for minimized disassembled flat-packed shipments for superior logistics advantages and cost savings. Lande sales representatives should be informed in case the order is assembled, otherwise the order would be sent as flat-packed.
Color selection	CC= Color Code please define while ordering the color code as LG Light Grey RAL 7035, BL Black RAL 9005.

# 19" HYPERline Series

## Free Standing Cabinets

### Exploded View

Width: 800 mm  
Depth: 1200 mm



Barrel locking  
at the top and  
mechanical snap  
locking system  
at the bottom

Plastic cable  
entry cover

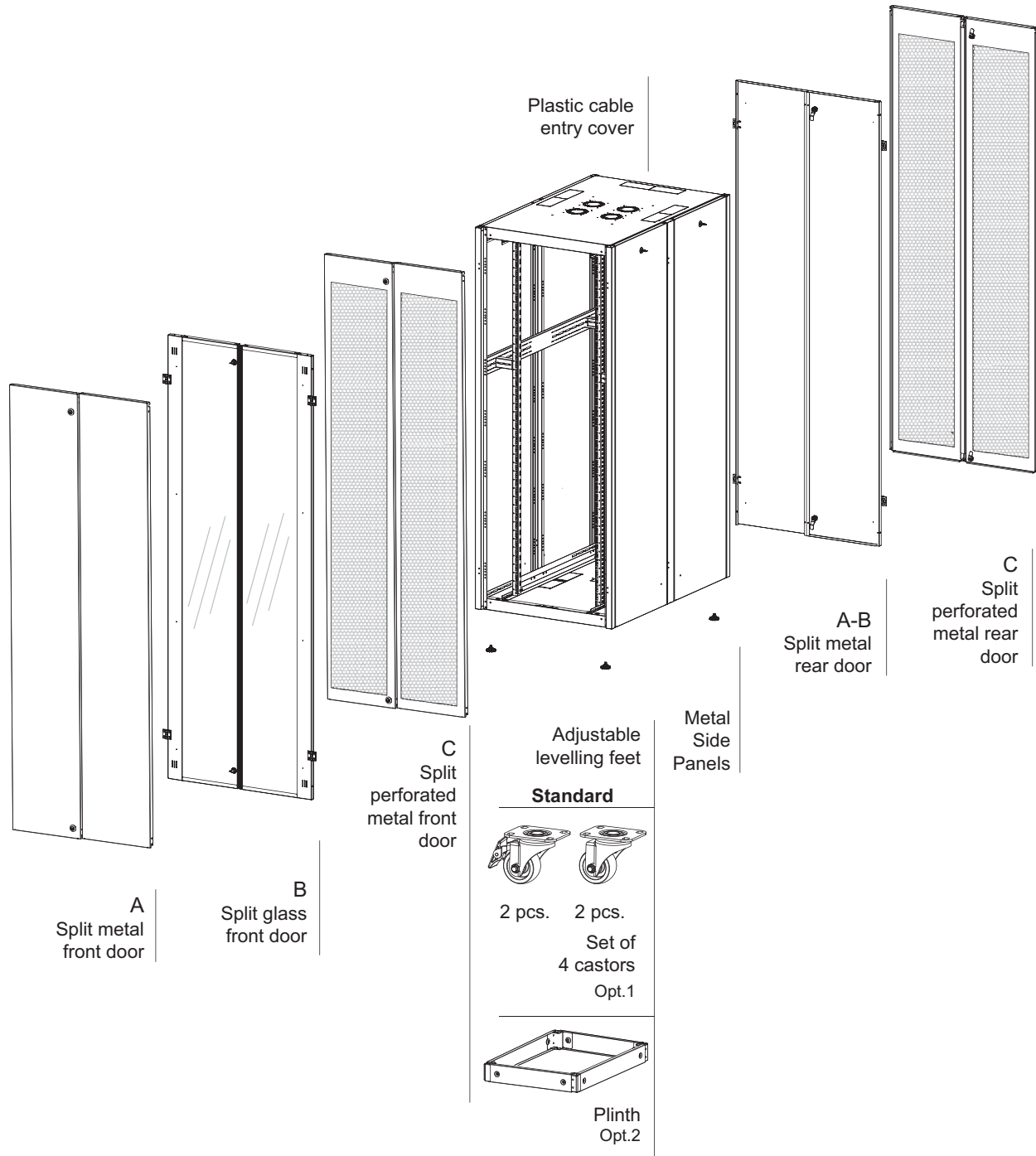


# 19" HYPERline Series

## Free Standing Cabinets

### Exploded View Options

Width: 800 mm  
Depth: 1200 mm



#### A/B/C Configurations in Product Number


Metal door - A configuration for W800 mm	Split metal front and rear doors with external hinge mechanism and double quarter turn locks.
Glass door - B configuration for W800 mm	Split glass front doors with external hinge mechanism and double quarter turn locks. Split metal rear doors with external hinge mechanism and double quarter turn locks.
Perforated door - C configuration for W800 mm	Split perforated metal front and rear door with external hinge mechanism and double quarter turn locks.

# 19" HYPERline Series



## Free Standing Cabinets

Accessories

### Cable Entry Modules

Product Number	Series	Product Description	
LN-DGR-CMB-HL-BL	Accessory	Brushed Cable Entry Panel	

### H100mm WxDmm PLINTHS


Product Number	Series	Product Description		
LN-ZMN-BHL-6060-CC	Accessory	Plinth H=100mm W=600 mm D=600 mm Modular		
LN-ZMN-BHL-6080-CC	Accessory	Plinth H=100mm W=600 mm D=800 mm Modular		
LN-ZMN-BHL-6010-CC	Accessory	Plinth H=100mm W=600 mm D=1000 mm Modular		
LN-ZMN-BHL-6012-CC	Accessory	Plinth H=100mm W=600 mm D=1200 mm Modular		
LN-ZMN-BHL-8080-CC	Accessory	Plinth H=100mm W=800 mm D=800 mm Modular		
LN-ZMN-BHL-8010-CC	Accessory	Plinth H=100mm W=800 mm D=1000 mm Modular		
LN-ZMN-BHL-8012-CC	Accessory	Plinth H=100mm W=800 mm D=1200 mm Modular		

\*\* CC= Color Code please define while ordering the color code as LG Light Grey RAL 7035, BL Black RAL 9005.

### 19" Power Stripes

Product Number	Series	Product Description		
LN-PRZ-SGT-1U6P-SC	Accessory	6xDIN49440 Socket Schuko Power Stripe, 19" 1U, aluminium housing, 1x16A cct breaker, 4000 Watt, 250V AC, 3x1.5mm <sup>2</sup> , 1,8m cable, DIN 49441 plug, CE approval		
LN-PRZ-SGT-1U6P-UPS	Accessory	6xUPS type French UTE Socket Power Stripe, 19" 1U, aluminium housing, 1x16A cct breaker, 4000 Watt, 250V AC, 3x1.5mm <sup>2</sup> , 1,8m cable, DIN 49441 plug, CE approval		
LN-PRZ-ONF-1U6P-UK	Accessory	6xBS1363 UK Socket Power Stripe, 19" 1U, aluminium housing, 16A lighted on/on switched, 4000 Watt, 250V AC, 3x1.5mm <sup>2</sup> , 1,8m cable, 13A BS1363 plug, CE approval		
LN-PRZ-SGT-1U6P-IE	Accessory	6xIEC 320 C13 Socket Power Stripe, 19" aluminium housing, 1x16A cct breaker, 4000 Watt, 250V AC, 1,8m cable, DIN 49441 plug, CE approval		
LN-PRZ-ONF-1U8P-SC	Accessory	8xDIN49440 Socket Schuko Power Stripe, 19" 1U, aluminium housing, 16A lighted on/on switched, 4000 Watt, 250V AC, 3x1.5mm <sup>2</sup> , 1,8m cable, DIN 49441 plug, CE approval		
LN-PRZ-ONF-1U8P-UPS	Accessory	6xUPS type French UTE Socket Power Stripe, 19" 1U, aluminium housing, 16A lighted on/on switched, 4000 Watt, 250V AC, 3x1.5mm <sup>2</sup> , 1,8m cable, DIN 49441 plug, CE approval		
			PDU - 19" power stripes	PDU - 19" power stripes

### 19" Horizontal Cable Management Panel

Product Number	Series	Product Description	
LN-KDG-YKD-1UKN-BL	Accessory	1U 19" cable management panel 5 rings RAL 9005 Black	
LN-KDG-YKD-1UKN-LG	Accessory	1U 19" cable management panel 5 rings RAL 7035 Light Grey	
			19" horizontal cable management panel

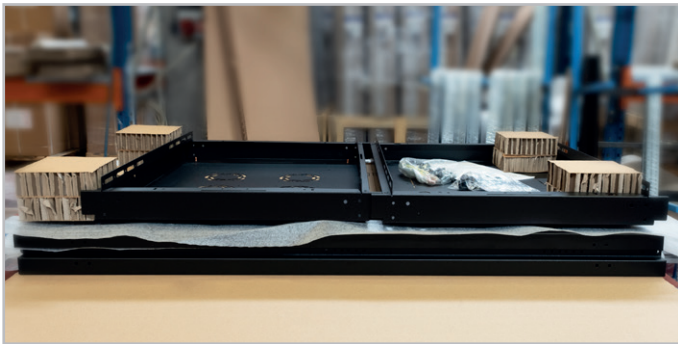
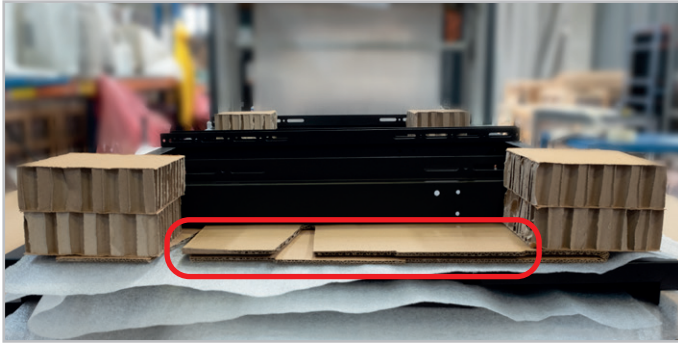
\*\* CC= Color Code please define while ordering the color code as LG Light Grey RAL 7035, BL Black RAL 9005.

# 19" HYPERline Series

## Free Standing Cabinets

Flat Pack Design, Super Economy in Logistics

Re-packing material is inside flat pack, no any additional cost after assembly.





## CONTACT DETAILS

### Headquarters

**Address:**

Merve Mah. Gazi Cad. No: 17 **Phone:** +90 216 312 26 53  
Sancaktepe - İstanbul / TURKEY **Fax** : +90 216 312 09 09

### Factory

**Address:**

20. Cadde No: 14 Eskişehir **Phone:** +90 222 236 24 66 pbx  
Organize San. Bölge. 26110 **Fax** : +90 222 236 13 53  
Eskişehir / TURKEY

[www.lande.com.tr](http://www.lande.com.tr) | [sales@lande.com.tr](mailto:sales@lande.com.tr)

